

# PACLITE

Equipment

## 2015



of France



## Catalog

Specialists in Compaction  
& Concrete Equipment



+33 (0) 1.49.56.02.82

+33 (0) 1.43.99.19.50

[www.paclite-equip.com](http://www.paclite-equip.com)



# Parts & Service



**PACLITE SERVICES** presents its technical and logistical center located in Soissons, FRANCE with 3000 m2 of dedicated space.

**MORE THAN 26000 PARTS STOCKED!**

- Technicians at your service for all your PACLITE Equipment machinery
- Assembly
- Repair shop



<b>CORPORATE PROFILE .....</b>	<b>4</b>
<b>COMPACTION .....</b>	<b>5</b>
Roadmaster 900- Tandem Roller.....	6
ROADMASTER 1200 - Tandem Roller.....	8
Duplex rollers for soil and asphalt VR6500KE, VR6500KF2 .....	10
Duplex Roller - DRX7800 HATZ .....	11
Heavyduty roller -VR9000HD .....	12
Reversible Plates IMPACT SERIE 230 & 430 .....	14
Reversible Plate PC100 .....	17
Versatile forward plate compactor - V400 COMBI.....	18
High capacity asphalt plate compactor - VECTOR PX5.0A.....	19
Premium Asphalt Plate - PC60.....	20
Extra Light-weight forward compactor - LCC40.....	21
Round plate compactor - PX91 .....	22
Rammer - CRX68.....	24
Diesel trench rammer - TR800D.....	26
<b>MOBILE CONSTRUCTION MACHINES .....</b>	<b>27</b>
Lighting balloon - PACLIGHT POWER.....	28
PACLIGHT-Tower Light .....	30
Terrain Loader - HTL350 .....	33
PFP 80- Submersible flexible shaft pump 72 m3/h .....	34
<b>CONCRETE EQUIPMENT .....</b>	<b>35</b>
Towable Site Mixer - 2 wheels BETAMAX 350RL.....	36
Heavy duty site mixer - REGENT 350D & 430XL.....	37
High frequency hand held poker vibrator - MULTIVIB & MULTIVIB COMPACT.....	38
Hand held portable- PORTAVIB .....	39
High frequency concrete vibrator - VX PREMIUM-VX BOOSTER .....	40
Converters - FUZ MONOBLOC.....	41
High frequency pokers with built-in inverter.- SYNCHROMASTER MACH II .....	42
Flexible shaft pokers - FP27 - FP62 .....	43
Pneumatic pokers vibrator - VP25-VP105.....	44
<b>SURFACING AND FLOOR PREPARATION EQUIPMENT .....</b>	<b>45</b>
Edging trowel and border trowel M600.....	46
Light-weight and heavy-duty straight or foldable handle J900 -M900 - M1200 .....	47
PRT168 - Mechanical ride on trowel .....	49
Trowel Accessories.....	50
Electric surface grinder - CUB GRINDER .....	51
Hand Tools.....	52
Surface Screed - SUPERSCREED .....	53
Surface Screed - VVL201.....	54
Top-of-the-line in versatile power screeding - EZ-SCREED .....	55
<b>CUTTING AND GRINDING .....</b>	<b>56</b>
DIAMOND BLADES .....	57
Walk-behind floor saws - PRECISION CUT 4-5 & 500D .....	59
Floor saw - CUTS 450X .....	60
Surface grinder- SPM1 .....	61
<b>CO2 LEVELS .....</b>	<b>62</b>
<b>CUSTOMER SUPPORT.....</b>	<b>63</b>

PACLITE reserves the right to alter details and specifications without notice.

**PACLITE**



**PACLITE**

When you purchase a **PACLITE** machine, it is manufactured by the highest technical standard and performance.

PACLITE designs and builds high-quality machines for a multitude of applications. Soil compaction, construction of asphalt layers, transporting, vibration, surfacing, cutting of concrete and a wide range of equipment for construction and civil engineering works.

PACLITE offers a wide variety of machines to respond specifically to the specific type of material, its ability to compact and specific job site conditions.



We are specialized in the rental and distribution business in over 50 countries.

Thanks to our innovative engineers as well as collaboration with experts from all areas of the construction industry, hirers to end users, PACLITE is able to offer a comprehensive product range combining design and the most modern and best suited performance to ensure maximum benefit to its customers. Whatever machine of your interest, the global network of PACLITE ensures optimal support anytime and anywhere.

**The progress and quality** - This applies to all the innovations PACLITE has developed in recent years. We are among the largest number of producers in innovations and product improvements.

**Close to its customers** - For PACLITE, the customer is in the center and of utmost importance. We pay attention to comments in order to provide total satisfaction to our customer base.

**Premium Services** - PACLITE offers an experienced in-house team and support. That's why we only produce and design within these areas of expertise.

**Safety at work** - "Hand-Arm Vibration" (HAV syndrome) is a group of diseases caused by the exposure of the hand arm vibrations. The best known of them is the "white finger disease" disorder of blood circulation in the fingers caused by compression of the nerves of the wrist. The vibration of machinery must be eliminated to the maximum effort.

Mechanized equipment commonly used in powered hand tools or of Physical Agents (Vibration) Directive 2002/44/EC, as well as the new Machinery Directive 2006/42/EC.



Manufacturing quality

Products designed together with  
Tech Solute Germany



**Uni-corp Europe / Paclite Equipment**  
ZAC les Petits Carreaux  
12, Avenue des Coquelicots

94385 Bonneuil-sur-Marne - France.

+ 33 (0) 1 49 56 02 82

+ 33 (0) 1 43 99 19 50

sales@paclite-equip.com



[www.paclite-equip.com](http://www.paclite-equip.com)



CERTIFICATION REQUIRED - PACLITE is a brand within the **Uni-corp** group which has numerous quality certifications.

Designer: [www.steph-webdesign.com](http://www.steph-webdesign.com) © 2015. All right reserved.



**PACLITE**  
Equipment



# COMPACTION

There are five principle reasons to compact soil:

Increases load-bearing capacity.

- Prevents soil settlement and frost damage.
- Provides stability.
- Reduces water seepage, swelling and contraction.
- Reduces settling of soil.

Soil compaction is defined as the method of mechanically increasing the density of soil. In construction, this is a significant part of the building process.

Every soil type behaves differently with respect to maximum density and optimum moisture. Therefore, each soil type has its own unique requirements.

Directly from the frontline of the development of methods and techniques, PACLITE offers a complete range of high quality compactors. They combine high speed, power, the latest design and capacity with outstanding maneuverability and excellent operator comfort and safety.

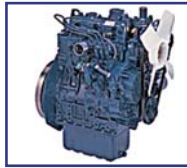
PACLITE offers models for all possible applications, weight class and international standards.

**Forward soil plates, reversible plate compactors, walk-behind rollers, ride-on rollers and rammers.**

PACLITE offers a comprehensive range of forward soil plates that are specially designed for compacting granular soils. They are ideal and most economical for small repair and maintenance work.



Kubota



**PACLITE ALWAYS USES ORIGINAL AND QUALITY COMPONENTS**



Hydraulic pump by  
Poclair France



Hydraulic components  
by Eaton Japan



Unique Vibration motor  
designed for PACLITE  
by CASAPPA (Italy)





# ROADMASTER 900

## Roller dual drum, smart concept of 900mm roller.

Drum width of 900 mm it's primarily used for small-scale compaction work such as pavements, cycle paths, small roads and small parking areas. The large diameter drum and drive motors connected in series contributes to excellent accessibility and hill-climbing capacity. Propulsion and vibration naturally come as standard on both drums.



### Features and Benefits

- Designed for compacting base and finish layers of asphalt as well as granular sub-base material in confined areas. Ideal for parking lots, driveways and shoulder work.
- Three position function vibrator switch, dual drum vibration with possibility switch off rear drum and front drum only vibration. Work lights front and rear, variable hydrostatic steering forward reverse. Pressurized sprinkler system.
- Lights on both sides of the machine.
- Hydrostatic drive with variable speed.
- Self-cleaning drum for good traction and better surface finish with 2 scrapers.
- Large-size water tank for extended use and reduced refill stops, easy cleaning access.
- Pressurized sprinkler system with a powerful water pump
- With self draining sprinkler tubes and nozzles.
- Long service intervals together with maintenance free steering hitch.
- PACLITE designed pivot steering cylinder contribute to a minimum of maintainance.
- A spacious vibration damped operator platform with comfort.
- Dual forward/reverse levers for total operator comfort.

Powered by  
**Kubota**



Quieter than before



Roller features support transport rail



Glass fibre hood



Foldable ROPS

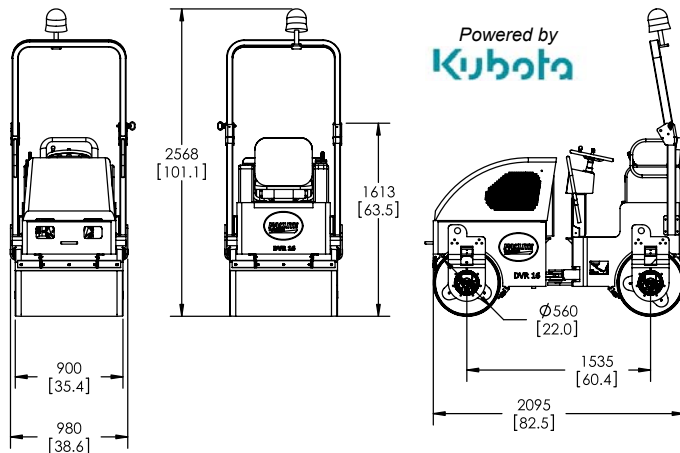
Code	RM900D
<b>Model</b>	<b>ROADMASTER 900</b>
Dimensions L x H (mm)	2095x2560
Operating weight (Kg)	1620 with ROPS
Weight on cylinder front/rear (Kg)	740/835
Drum size (mm)	900
Classification setra/lcpc	PV2
Centrifugal force (kN)	15-16
Amplitude (mm)	0,45
Static line load front/rear drum (Kg/cm)	8,3/9,4
Frequency (Hz)	69
Engine KUBOTA D1105-E3B	3 cylinders
Emission regulation: tier 4	Water cooled
Engine power - Hp (Kw)	25 (18,5)
Water tank capacity (l)	110
Brand Hydraulic system	POCLAIN



## Roller dual drum



Ergonomic seat



Casappa vibration system



Unique pivot articulation with grease point



Diesel fuel cap easy access on operator floor

### PROPULSION

Type System CASAPPA (Italy)	Closed-loop, hydrostatic, parallel circuit
Drum drive system - POCLAIN (France)	Pump: axial piston; Motor: radial piston, low speed, high torque
Speed (Km/h)	0 - 10,0
Gradeability (theoretical)	35%

### BRAKES

Service	Dynamic hydrostatic through propulsion system
Parking / Secondary	Spring-applied hydraulically released (SAHR) on each drum drive

### WATER SYSTEM

Type	Pressurized
Pump	Electric, diaphragm
Water tank capacity	110 litres
Filters	Filters 100 mesh screen @ nozzles, 80 mesh in-line
Drum Wipers Type	Spring-loaded, self-adjusting, neoprene wipers

### MISCELLANEOUS

Fuel Capacity	31 litres
Hydraulic Oil Capacity	30,1 litres
Oscillation	+ / - 8° + / - 8°
Curb Clearance — Vibration / Traction (mm)	337
Side Clearance (mm)	40
French classification	setra/lcpc : PV2



# TANDEM ROLLER ROADMASTER 1200

## Tandem rollers

Roadmaster 1200 is a series of articulated tandem rollers that have vibration and drive on both drums. These rollers are designed primarily for compacting asphalt but their compaction performance is also suitable for sub-bases and base courses. Roadmaster 1200 are designed primarily for smaller construction tasks, such as pavements, bicycle lanes and garage entrances. Roadmaster1200 are used primarily for the compaction of asphalt on streets and smaller roads in major built-up areas.



## Features and Benefits

- These machines are always fitted with a robust central lifting eye that allows very fast, and simple loading for transportation between different work places.
- A folding Rops (option) means that the transport height can be kept to a minimum.
- The powerful, quiet, water-cooled, 3 cylinder KUBOTA diesel engine produces 23Hp/44,9kW. Together with the large drum diameter and the drive motors connected in series, it contributes to excellent accessibility and hill-climbing capacity. Propulsion and vibration naturally come as standard on both drums.
- As an option, it is possible to switch off the vibration on either the front or the rear drum.
- Vibration on both drums with three positions. Possibility to switch off vibration on either drum. Lights on both sides of the machine.
- Hydrostatic drive with variable speed.
- Large-size water tank for extended use and reduced refill stops, easy cleaning access.
- Self-cleaning drum for good traction and better surface finish with 2 scrapers.
- Large size water tank for extended use and reduced refill stops, easy cleaning access.
- The silent, powerful water cooled Kubota diesel engine. The large easy-to-open engine hood contributes to great accessibility.



Safety interlock to prevent accidents. Operator must be in the seat before the engine will start.



Anti-theft central locking mechanism



Adjustable ergonomic steering wheel





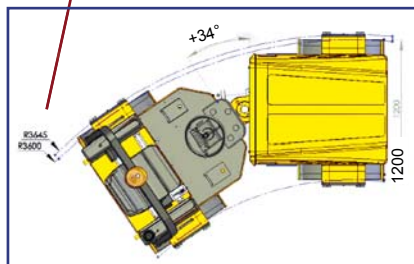
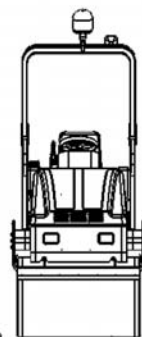
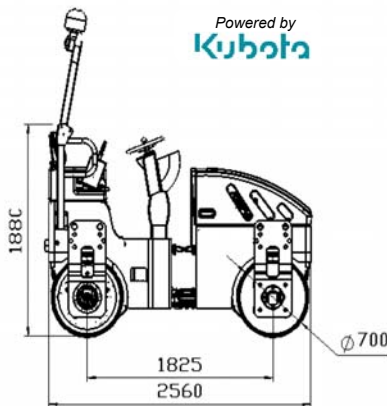
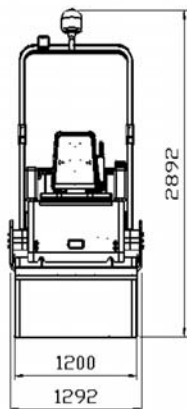


## Tandem roller

Ideal engine accessibility powerful, 3 cylinder engine with optimized fuel consumption, low pollution.



Good edge clearance and narrow lateral overhang for compaction along pavements, walls and other obstacles.



Water control



Code	RM1200
Model	ROADMASTER 1200
Dimensions L x W x H (mm)	2560X1292X2892
Drum size (mm)	700
Progressive speed front/rear (Km/h)	0-10
Brakes	Hydrostatic
Brake type	Active Multidisc /negative
Emergency stop	Active Multidisc /negative
Climbing ability with vibration: degrees	35
Frequency (hz)	66
Engine	KUBOTA V1505-T-E3B-KEA-1 Diesel  DI 4 stroke Water cooled
Power ISO 9249 - Hp (Kw)	44,9 (33)
Revolutions max. (r/min)	2800
Static line load front/rear drum (Kg/cm)	10,6
French compaction class UNE	115-435 Kg PV3
Maximum centrifugal force (dan)	2800
Nominal amplitude une115-435 (mm)	0,5
Operational mass UNE-115-434 (Kg)	2850
Operational load on front axle (Kg)	1425

# DUPLEX ROLLERS

## VR6500 KF2 - VR6500KE (EXPORT)

**PACLITE**  
Equipment

### Walk-behind duplex rollers for soil and asphalt

This walk-behind, double drum vibratory roller is capable of performing a wide range of soil and asphalt compaction applications. The exclusive compact design allows for tight side clearance on both sides of the roller. Plus the totally hydrostatic drive eliminates mechanical components providing for less maintenance and greater reliability.

The PACLITE double drum roller VR6500KE is a hydraulic driven roller intended for compaction on both soil and asphalt. It is equipped with a powerful Kubota engine and an improved 47 litres water tank which enables long working sessions. It is also equipped with a new hydraulic tank of 31 litres to improve cooling in continuous operations.



Powered by  
**Kubota**

LED service light



### Features and Benefits

- A durable low speed, extremely durable Kubota diesel engine provides exceptional performance, fuel economy and long life with low maintenance.
- The large capacity, carbon proof water tank of 47 litres with in-tank filter offers long life and minimum maintenance.
- Large hydraulic tank 31 litres with improved cooling features.
- Adjustable scrapers.
- Parking brake.
- New Sauer Danfoss hydraulic motors and pumps PV10-619.
- Rigid square handle.
- Improved design with lower overhang.
- Weight: 700 kg.
- Front light.
- Mechanical clutch from WAKAYAMA.
- Epoxy painted body in 4 stages.

Code	VR6500KF3	VR6500KE
Model	VR6500KF3	VR6500KE Export
Operating weight (Kg)	700	700
Centrifugal force (kN)	20	20
Dimensions L x W x H (Timon guide position) (mm)	2385 x700x1772	2385 x700x1772
Cylinder diameter (mm)	402x650	402x650
Curb/Wall clearance (right / left) (mm)	25	25
Lateral clearance (right / left) (mm)	235	235
Water tank capacity (liters)	47	47
Side cover	Opening	Fixed panel
Starter	Electric or manual	
LED service light	Yes	No
Frequency (Hz)	65	65
Linear load (dynamic per drum) front / rear (N / mm)	10,0 / 10,0	10,0 / 10,0
Hydraulic Pump Sauer-Danfoss axial piston	PV10-619	PV10-619
Forward speed (m / min)	0-3,6	0-3,6
Reverse speed (m / min)	0-2,5	0-2,5
Reverse speed limitation down	Integrated	Integrated
Max Gradeability, vibration (%)	28	28
Vibration level (m / s <sup>2</sup> )	4	4
Sound level dB (A)	89	89



Improved water tank  
47 litres

### Engine Specifications

Model	KUBOTA E75NB3
Engine power HP (Kw)	6,5 (4,85)
Starter	Electric or manual
Engine Type	4 stroke
Cooling	Water
Fuel consumption (l / h)	1,36



Opening Hood



Crank for manual start



Reduced overhang and improved wall clearance.



**NEW Duplex roller - 800Kg**  
**Versatile, heavier and with more power**

The PACLITE DRX7800 is a heavier walk behind duplex roller with advanced design, still easy to operate. The machine offers fantastic properties on granular material and asphalt layers. It is suitable for a wide range of applications in road repair works or preparing a new road. The very compact design offers great visibility to the operator in any angle which allows precise work near to walls or sidewalks. The DRX7800 is equipped both with electric and manual starter. The larger Hatz engine provides that extra power that might be needed on the job site.

**+ Features and Benefits**

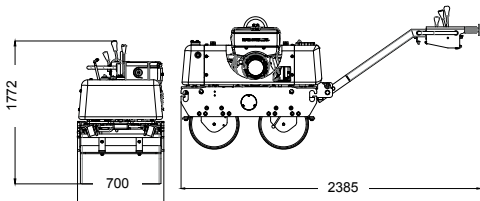
- Roller with extra power up to 11 hp.
- Both electric or manual starter.
- Operator safety thanks to the security push stop device situated on the handle which will engage automatically if the operator is reversing too close to a wall.
- Reduced hand arm vibration level thanks to two large rubber mounts placed between the operating handle.
- Electronic components of the starter motor are built-in to the operating handle with led lights indicating battery level and start.
- The handle is foldable 90° during transport and storage
- The DRX7800 is equipped with an oil alert which protects the Hatz IB40 engine.
- The clutch will engage quickly which allows fast start up to work.
- German manufactured clutch from Amsbeck.
- To improve visibility at night time or in applications with low visibility, a halogene lamp is installed on the front of the machine.
- Hydraulic system by Sauer Danfoss, one centrally placed pump and two drive motors with power break, preventing sliding in neutral position.

**+ WEIGHT**  
**+ COMPACTION**  
**+ POWER**  
**+ COMPACT**



Front light standard equipment

LED service light



Powered by



Engine Specifications	
Engine type ch (kW)	HATZ IB40 -10 (7,5)
Starter	Electric or manual
Engine Manufacturer	HATZ Germany
Engine Type	4 stroke
Cooling	Air
Fuel consumption (l / h)	1,45

Code	DRX7800H
Model	DRX7800 Hatz
Operating weight (Kg)	800
Centrifugal force (kN)	21
Dimensions L x W x H (Timon guide position) (mm)	2385x700x1772
Cylinder diameter (mm)	402x650
Curb/Wall clearance (right / left) (mm)	25
Lateral clearance (right / left) (mm)	235
Water tank capacity (liters)	47
Side cover	Foldable option
Frequency (Hz)	68
Linear load (dynamic per drum front / rear (N / mm)	12,0 / 11,0
Hydraulic Pump Sauer-Danfoss axial piston	SPV10-325
Forward speed (Km/h)	0-3,6
Reverse speed (Km/h)	0-2,5
Reverse speed limitation down	Integrated
Max Gradeability, vibration (%)	35
Vibration level (m / s <sup>2</sup> )	4,2
Sound level dB (A)	91

# DUPLEX ROLLER VR9000 HD

## Dual system weight +900Kg

### Heavyweight model 900Kg

This roller is equipped with a double vibration system which delivers high powerful centrifugal force, and with a heavy wider frame with innovative features. This heavy class of roller is equipped with two independent eccentric masses.



### Features and Benefits

- High vibration resistant material; (q460), [fixed frame replaced by hinge frame]
- Foldable hood, supported by gas spring facilitates access to engine and hydraulic components.
- Electromagnetic clutch. Avoids extra mechanical parts such as cable sand accessories. Hence the problems of vibration engage/disengage cable breakage is completely avoided. Electromagnetic clutch ensure only sufficient torque is being transmitted.
- Ensures sufficient and effective vibration.
- Ease of operation and maintenance.
- Easily accessible switches.
- Adjustable front light (nordic n100).
- Structure attached by m16x1,5mm fine thread bolts & nord lock washers.



Hydraulic drive motors on each drum

Code	VR800D
Model	VR900KF
Operating weight (Kg)	900
Centrifugal force (kN)	24
Dimensions L x W x H (Timon guide position) (mm)	2474 x 762 x 1768
Cylinder diameter (mm)	404 x 700
Curb/Wall clearance (right / left) (mm)	25
Lateral clearance (right / left) (mm)	285
Water tank capacity (liters)	48
Side cover	Foldable in series
Frequency (Hz)	60
Linear load (dynamic per drum) front / rear (N / mm)	15,0 / 12,0
Hydraulic Pump Sauer-Danfoss axial piston	PV10-350
Forward speed (m / min)	0-3,6
Reverse speed (m / min)	0-2,5
reverse speed limitation down	Integrated
Max Gradeability, vibration (%)	32
Vibration level (m / s <sup>2</sup> )	4,8
Sound level dB (A)	93



Sauer Danfoss hydraulic motor



Steel push stop



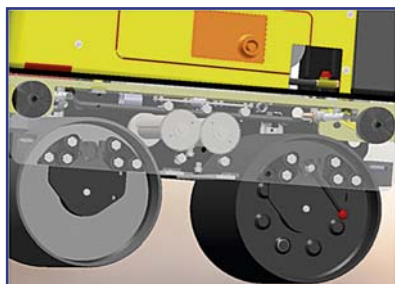
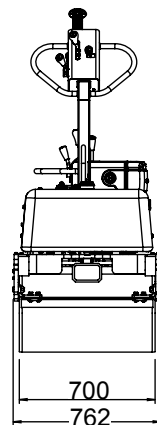
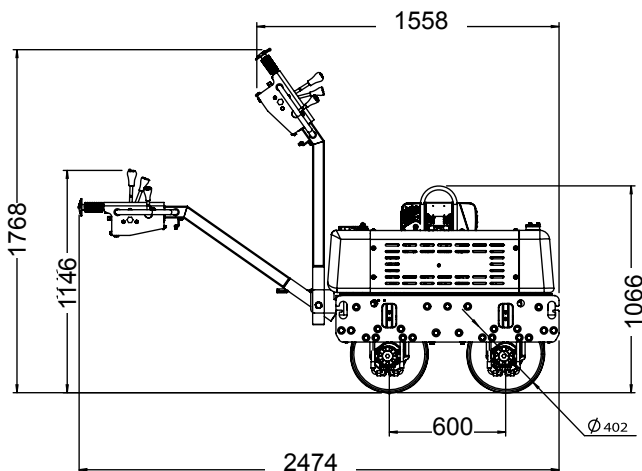
Foldable hood for easy service



Improved handle lock for storage



LED service light



Horizontally aligned rubber mounts strong support for the structure



Larger and heavier frame with modified gear box

Powered by  
**Kubota**

Engine Specifications	
Engine type HP (Kw)	Kubota EA330-E3-NB1-1,69
Starter	Electric
Engine Manufacturer	KUBOTA Japan, 4 stroke
Cooling	Water
Fuel consumption (l / h)	1,9



## PACLITE'S IMPACT RANGE



**IMPACT230**



**IMPACT430**

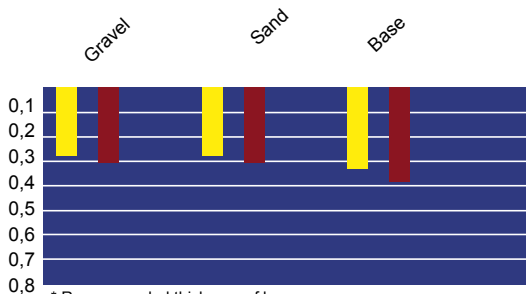


Hydraulic pump built-in the arm



Low hand arm vibration handle

\* Depth, m



\* Recommended thickness of layer

Products designed together with  
Tech Solute Germany.





## Compact forward/reverse vibratory plate

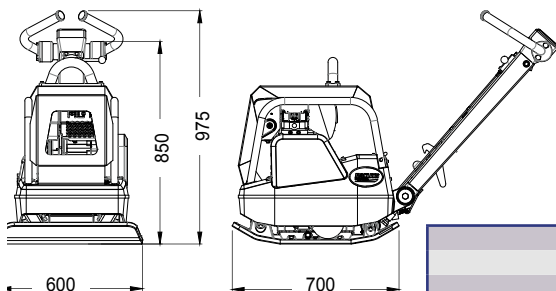
The IMPACT230 is a compact forward/reverse vibratory plate with excellent compaction data. Speed and compaction depth are regulated steplessly via hydraulic servo control of the eccentric element. This gives the plate smooth motion and makes it very easy to operate. All-round plates for compaction work close to piles and concrete bases. Also for floor filling and foundations as well as backfill in pipe trenches. IMPACT 230 is an ideal plate for compacting sand and gravel in cable and pipe trenches, foundation work, road repairs, etc.

### + Features and Benefits

- Lifelong lubricated bearings for extended service life.
- Exciter bearing design requires minimal maintenance for improved productivity.
- Strong V-belt cover.
- 30 kN eccentric element.
- Convenient single lifting point.
- Standard engine: Honda 4-stroke or Hatz Diesel.
- Engine with oil alert on all models.
- Option: electric start.
- Low hand vibration handle.



Molded bottom plate



Electric-start



Model Code	IMPACT230		
	IMP200H	IMP200D	IMP200DE
Engine	Honda GX270	Hatz IB30	Hatz IB30
Plate dimensions LxW(mm)	700x500	700x500	700x500
Operating weight (Kg)	217	230	238
Centrifugal force (kN)	30	30	30
Operating speed (m/min)	21	21	21
Compacted area (m <sup>2</sup> /h)	700	630	630
Frequency (Hz)	90	90	90
Engine power Hp (Kw)	7,2 (5,4)	7,2 (5,4)	7,2 (5,4)
Start	Manual	Manual	Electric
Vibrations* m/sec <sup>2</sup> /utilisation (hrs)	3,5/4,33	3,5/4,33	3,5/4,33

\* Minimum vibration levels measured to EN500-4



# IMPACT 430DE

## THE "TRIPLE BULL"

### Reversible plate

The most modern and compact design with increased speed to allow greater compaction capacity and is designed to meet the toughest job conditions.

PACLITE compact series forward/reverse vibratory plate with excellent compaction data.

Speed and compaction depth are regulated steplessly via hydraulic servo control of the eccentric element. This gives the plate smooth motion and makes it very easy to operate. All-round plates for compaction work close to piles and concrete bases. Also for floor filling and foundations as well as backfill in pipe trenches.



### Features and Benefits

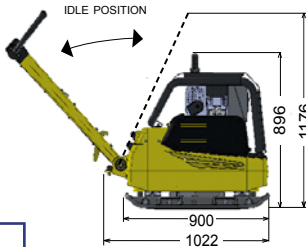
- Increased forward travel speed for greater surface capacity.
- The same forward and reverse speed produces more consistent results, E.G. in plaster compaction.
- Reinforced covers and fastening elements for increased protection and thus lower maintenance costs.
- The molded bottom plate is made of wear resistant steel (GJS-700).
- Long operating times thanks to low hand-arm vibrations.
- Lifting point.
- Engine with oil alert on all models.
- The handle can be positioned vertically for better maneuverability.
- Optimized rubber shock mounts reduces hand-arm vibrations transmitted to the operator.
- Loading to trucks or placement in trenches are facilitated by a strong lifting eye.
- Stop alarm engaged when engine is on stop.



Security strap



Extension plates



Electric-start



Low HAV handle with rubber mounts and servo control

Code	IMP430DE
Model	IMPACT430
Dimensions LxW (mm)	900x690x896
Operating weight (Kg)	438
Centrifugal force (kN)	50
Working width (without extensions) (mm)	500 + 2x95
Thickness of bottom plate (mm)	12
Operating speed (m/min)	23
Compacted area (m <sup>2</sup> /h)	912
Frequency (Hz)	70
Diesel engine power Hatz IB40 (Kw) Hp	(7,5) 10,5
Power (rpm)	2900-3600
Consumption engine (l/h)	1,8
Engine single cylinder	air-cooled
Electric start	or auxiliary rope start
Automatic cut-off in case of lack of oil	yes
Hand-arm vibration (EN500-4) (m/sec <sup>2</sup> )	3,1
Vibrations* m/sec <sup>2</sup> /utilisation (hrs)	3,2/4,53

\* Minimum vibration levels measured to EN500-4



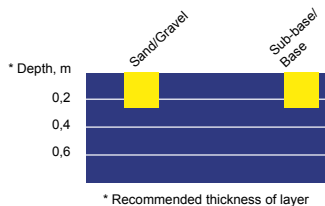
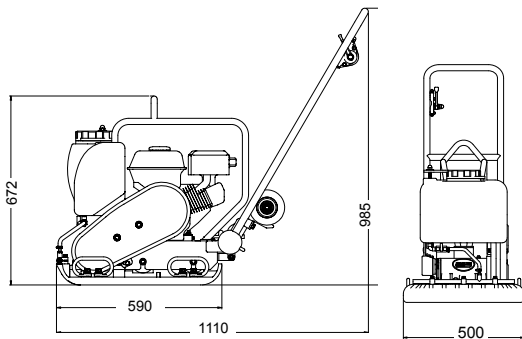


**Heavy forward plate petrol or diesel**

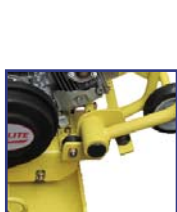
PACLITE vibratory plates offer functionality and performance at a value price. Compact design allows for compaction of mixed soils in the narrowest of spaces - even in extremely narrow trenches. Ideal for curbs, gutters, around tanks, forms, columns, footings, guard railings, drainage ditches, gas and sewer works and building construction. These plates are optimally suited for a variety of compaction applications thanks to their high speed of advance and simple maneuverability. Two types of engines available: gasoline and diesel.

**+ Features and Benefits**

- Newly designed "low-vibration" guide handle greatly improves operator comfort and minimizes operator fatigue.
- Completely enclosed belt protected by a lightweight belt guard for reduced wear and minimal service.
- Ergonomically designed lifting handles make loading and unloading from transport vehicles easier for the operator.
- Durable Shock mounts on engine console dampen vibrations thereby reducing wear on the components.
- Devibrated handle with 'cup design' to reduce hand/arm vibration.
- Transport wheels and water kit included.
- Electric-start.
- Throttle mounted on the operating handle.



OPTION PAVING PAD	
Code	PPV-PAD400



New low hand/arm vibration



PC100 Honda

Code (CE)	PC100H	PC100DH
Model	PC100 Honda	PC100Hatz
Operating mass (Kg)	96	125
Centrifugal force (kN)	15	15
Plate width (mm)	500	500
Engine brand	Honda GX160	Hatz 1B20
Power Hp (Kw)	5,5 (4,1)	4,7 (3,46)
Water tank (L)	13	13
Speed (m/min)	25	26
Amplitude (mm)	0,95	0,9
Frequency(Hz)	95	90
Sound pressure level/(dB(A)	91	101
Vibration* emission value/ (m/s <sup>2</sup> )	3,94	3,94

\* Minimum vibration levels measured to EN500-4



# V400 COMBI

## THE "BEST-SELLER"

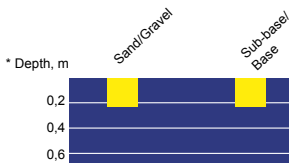
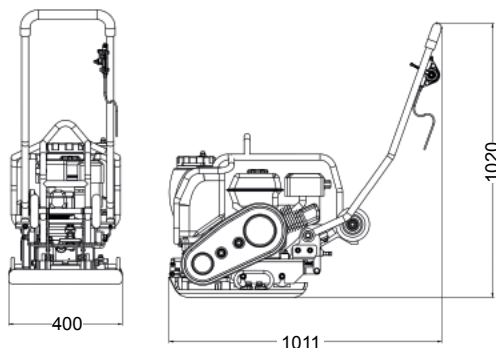
### Versatile forward plate compactor high performance

Premium asphalt plates feature a durable base plate for various applications. A true combination plate for various applications in the 85 Kg weight class.

Designed for the compaction of granular and mixed materials with some cohesive content in confined areas such as parking lots, highway and bridge construction, next to structures, curbs, and abutments. This computer designed base plate has a tapered bottom and edges for high speed and excellent maneuverability.

### + Features and Benefits

- Straight, center-mounted guide handle offers superior maneuverability and can be lowered within inches of the surface to operate plate under obstacles and form work.
- Many lifting points and front lift cage offer easier loading and unloading for operator convenience.
- Compact design, easy to use, cast bottom plate.
- Smooth and flexible.
- Throttle mounted on the operating handle.



\* Recommended thickness of layer



<b>Code</b>	<b>V400COMBI</b>
<b>Model</b>	<b>V400 COMBI</b>
Operating mass (Kg)	85
Centrifugal force (kN)	14
Plate width (mm)	400
Engine brand	Honda GX160
Power Hp (Kw)	5,5 (4,1)
Water tank (L)	13
Speed (m/min)	21
Amplitude (mm)	0,89
Frequency (Hz)	95
Sound pressure level(dB(A)	91
Vibration* emission value (m/s <sup>2</sup> )	2,59
* Minimum vibration levels measured to EN500-4	

<b>OPTION PAVING PAD</b>	
<b>Code</b>	<b>PPV-PAD400</b>



## High capacity asphalt plate compactor

Segregation in materials can be a big problem. There are a number of emerging technologies in asphalt compaction that allow for the manipulation of binder viscosity and thus lower mixing and paving temperatures through chemical modification. This creates demand for specially designed machines for asphalt layers.

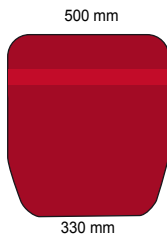
PACLITE compactors minimize segregation problems and promote homogeneity of material and air void distributions within the compacted layers.

### + Features and Benefits

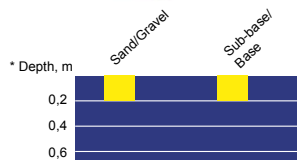
- High strength aluminium components including the engine console and belt guard have been combined for reduced weight and easy machine handling.
- Straight, center-mounted guide handle offers superior maneuverability and can be lowered within inches of the surface to operate plate under obstacles and form work.
- High rate of travel due to well designed base plate geometry and good weight distribution.
- Design for outstanding handling especially in confined conditions.
- Large removable water filter located inside of water tank prevents clogging during operation and can be easily removed by sliding off the attachment for filling and draining.
- Angled holes on spray bar allow complete water coverage for no asphalt pick-up on plate bottom.
- Special Delta shaped bottom plate for compaction and moving of thin asphalt layers.



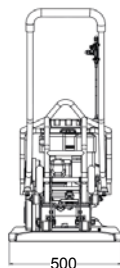
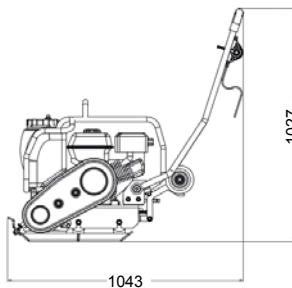
System to reduce HAV (Hand-Arm Vibration)



Delta-shaped plate  
Hardox 400 quality



\* Recommended thickness of layer



<b>Code</b>	<b>201.75.10001 (CE)</b>
<b>Model</b>	<b>VECTOR PX5.0A</b>
Operating mass (Kg)	77
Centrifugal force (kN)	12
Plate width (mm)	500
Engine brand	Honda GX160
Power Hp (Kw)	5,5 (4,1)
Water tank (L)	13
Speed (m/min)	21
Amplitude(mm)	0,9
Frequency (Hz)	95
Sound pressure level(dB(A)	91
Vibration* emission value (m/s <sup>2</sup> )	3,5

\* Minimum vibration levels measured to EN500-4



## A Premium asphalt plate with molded base plate for various applications

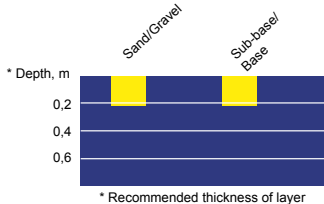
PACLITE PC60 feature a tough, wear resistant, ductile iron base plate offering high strength and shock resistance. This computer designed base plate has a tapered bottom and edges for high speed and excellent maneuverability. Designed for the compaction of granular and mixed materials with some cohesive content in confined areas such as parking lots, highway and bridge construction, next to structures, curbs, and abutments.

### + Features and Benefits

- Special contoured running surfaces and rounded edges provide maximum performance and maneuverability.
- Completely enclosed belt protected by a lightweight belt guard for reduced wear and minimal service.
- Newly designed "low-vibration" guide molded handle due to the 'cup design' greatly improves operator comfort and minimizes operator fatigue.
- Heavy-duty shock mounts on engine console dampen vibrations thereby reducing wear on the components.
- Exciter bearing design requires minimal maintenance for improved productivity.
- Standard package Honda GX120 water kit and transport wheels.
- New low HAV mechanism.
- Throttle mounted on the operating handle

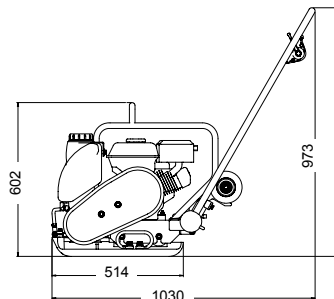
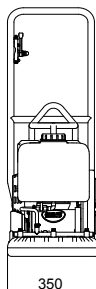


Perfectly balanced and designed for the toughest job sites. Throttle cable mounted on the operator handle.



OPTION : stone paving pad

OPTION: PAVING PAD	
Code	PPV-PAD60



New low HAV mechanism

Code	PC60H
Model	PC60
Operating mass (Kg)	66
Centrifugal force (kN)	11
Plate width (mm)	350
Engine brand	Honda GX120
Power Hp (Kw)	3,5 (2,6)
Water tank (L)	8
Speed (m/min)	20
Amplitude (mm)	0,9
Frequency (Hz)	95
Sound pressure level (dB(A))	88
Vibration* emission value (m/s <sup>2</sup> )	3,9

\* Minimum vibration levels measured to EN500-4



## Extra light-weight compactor

Designed for repair in confined areas, these plates are ideal for curbs, gutters, block paving around houses, tanks, forms, columns, footings, guard railings, drainage ditches, gas, sewer works and building works.



### Features and Benefits

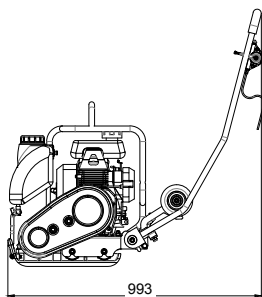
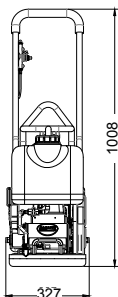
- Special contoured surfaces, rounded edges and its low weight provide maximum performance and maneuverability.
- Completely enclosed belt protected by a light-weight beltguard for reduced wear and minimal service.
- Exciter bearing design requires minimal maintenance for improved productivity.
- Ergonomically designed foldable handles offer easier loading and unloading for operator during transport.
- New low HAV mechanism 2015.
- Throttle cable mounted on the operator handle.



New low hand/arm vibration

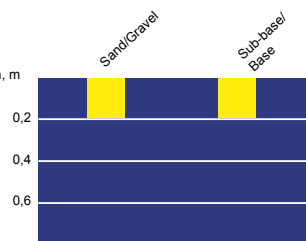


Transport wheels



Ultra compact design

\* Depth, m



\* Recommended thickness of layer

Code	LC40
Model	LCC40
Operating mass (Kg)	40
Centrifugal force (kN)	8,4
Plate width (mm)	320
Engine brand	Honda GX100
Power Hp (Kw)	3,0 (2.3)
Water tank (L)	6
Speed (m/min)	21
Amplitude (mm)	0,89
Frequency (Hz)	95
Sound pressure level(dB (A))	89
Vibration* emission value (m/s <sup>2</sup> )	3,0

\* Minimum vibration levels measured to EN500-4



# PX91

## ROUND PLATE FOR TRENCHES

### The world's best trench plate

PX91 vibratory plate compactor features a unique round base that allows flush compaction next to posts, pillars, guardrails, manholes, drainage inlets and foundations. The design of PX91 makes it easy to maneuver around obstacles.



### Features and Benefits

- Improvement of the centrifugal clutch.
- Base plate made of hardened ductile steel, type GGG500.
- Over sized heavy duty throttle cable adapted for tough applications.
- Increased vibration frequency, faster and stable.
- Epoxy painted durable surface.



Extended safety cover



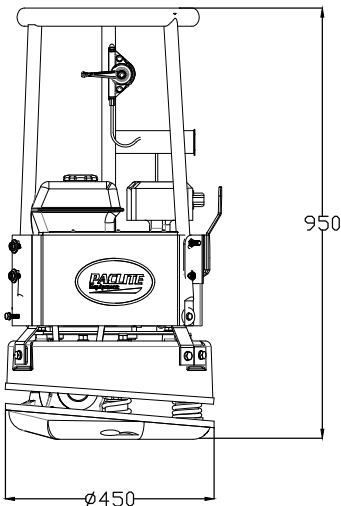
Centrally placed throttle



Protective frame



Moteur Honda



Code	PX91
Model	PX91
Operating mass (Kg)	96
Centrifugal force (kN)	15
Plate diameter (mm)	450
Engine brand	Honda GX160
Power Hp (Kw)	5,5 (4,1)
Speed (m/min)	22
Amplitude (mm)	0,97
Frequency (Hz)	95
Sound pressure level(dB (A)	89
Vibration* emission value/(m/s <sup>2</sup> )	3,5

\* Minimum vibration levels measured to EN500-4



Uni-corp has 40 years of experience manufacturing rammers for the construction industry. Now, we sell direct a most perfect and complete offer with the PACLITE label.

The PACLITE vibratory rammers, the best range of well balanced rammers with excellent traction and stroke suitable for the compaction of both granular and cohesive soils. The rammers combine the latest 4-stroke engine technology, meaning low exhaust emissions and low noise levels, with a high working speed and flawless compaction performance. The compaction depth effect is 60cm on sand and gravel and

20cm on clay. PACLITE offers a range with three models of 4-stroke gasoline engines; CRX68 Robin Subaru ER12 and Honda GX100 as well as a heavy diesel rammer TR800D equipped Hatz 1B20. These rammers feature a dedicated 4-cycles crankcase for increased durability and simplified maintenance.



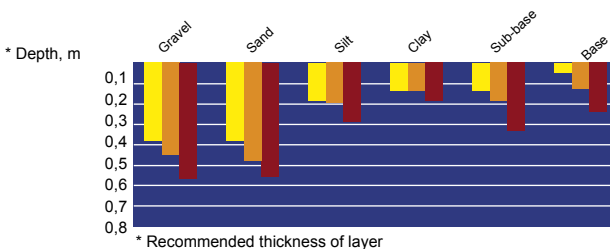
CRX68H



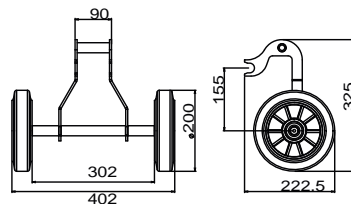
TR740



TR800D



Option 2015 wheel kit





# CRX68

COMBINING DESIGN, FUNCTION, TECHNOLOGY

**PACLITE**  
Equipment

## Innovative system for the rental industry.

The outstanding features of PACLITE four-cycle rammers are the compact design and strong performance. The long shoe stroke, high percussion rate and high stroke energy combined with fast advance travel achieve excellent results in trenches and channels.

Tachometer reading hours in use and compaction speed.



## Features and Benefits

- Engine Protection system (eps).
- Triple air filtration (Robin ER12 / HONDA GX100) system with cyclone prefilter: high filter capacity thanks to premium quality. Easy access to servicing points.
- Automatic oil level.
- Low vibrating handle.
- Protective cover with 'tachymeter',
- Measuring the speed and duration of work.
- Strong lifting eye.
- Pull wheels mounted on frame for easy loading.
- Engine shut off integrated in the throttle.
- Narrow frame 380 mm.
- Bellow of German fabrication.
- Option : HONDA GX100 ou ROBIN SUBARU ER12.



Three stage air cleaner system



Electronic tachymeter

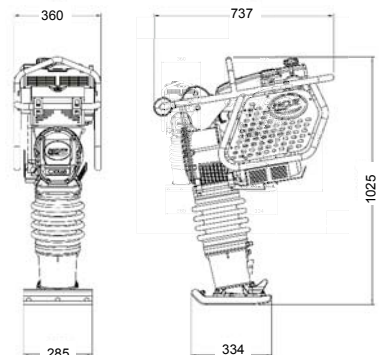


### WHEEL KIT OPTION

Code OP/TR-WHEEL

Code	CRX68R	CRX68H
Model	CRX68 Robin Subaru	CRX68 Honda
Operating mass (Kg)	71	71
Centrifugal force (kN)	18,6	18,6
Plate width (mm)	335-285	335-285
Engine brand	Subaru ER12	Honda GX100
Power Hp (Kw)	4,5 (3,31)	3,0 (2,21)
Speed (m/min)	9 - 12	8 - 11
Amplitude (mm)	70 - 80	70 - 80
Frequency (Hz)	12	12
Sound pressure level (dB (A))	91	91
Vibration*emission value/(m/s <sup>2</sup> )	9,6	9,6

\* Minimum vibration levels measured to EN500-4





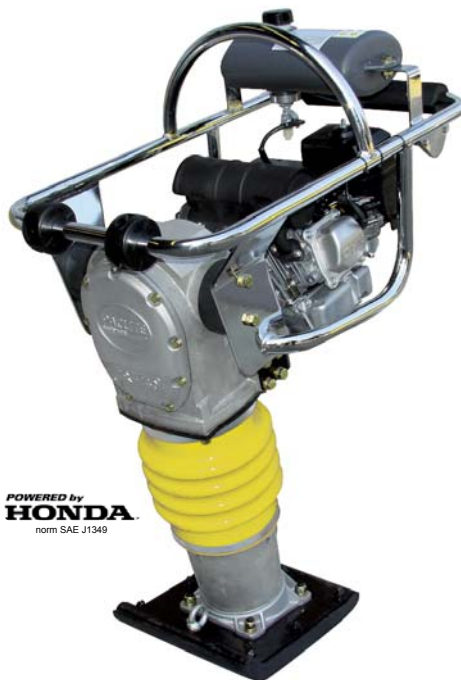


**Multiple use rammer**

A rammer with a rugged design for multiple uses. This rammer is suitable for applications on both granular and cohesive soils, where strict requirements are imposed for compaction in confined areas, trenches and repair work.

**+ Features and Benefits**

- Strong protective frame and engine support.
- Transports in any position.
- A unique three-stage air filtration system provides a virtually dust-free engine for longer life and improved durability.

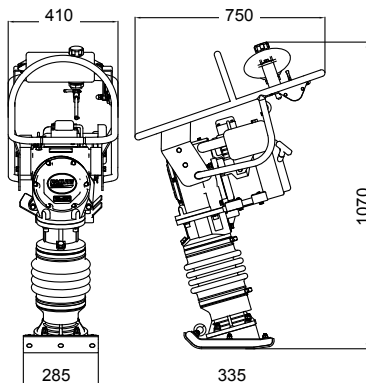


POWERED by  
**HONDA**  
norm SAE J1349

<b>Code</b>	<b>TR740H</b>
<b>Model</b>	<b>TR740</b>
Operating mass (Kg)	70
Centrifugal force (kN)	18,6
Plate width (mm)	335-285
Engine brand	Honda GX120
Power Hp (Kw)	4,0 (2,94)
Speed (m/min)	9 - 12
Amplitude (mm)	65 - 75
Frequency (Hz)	12
Sound pressure level(dB (A)	91
Vibration* emission value/(m/s <sup>2</sup> )	4,9
* Minimum vibration levels measured to EN500-4	

**WHEEL KIT OPTION**

**Code** OP/TR-WHEEL



Oil level gauge



Wood laminated foot



# TR800D

**PACLITE**  
Equipment

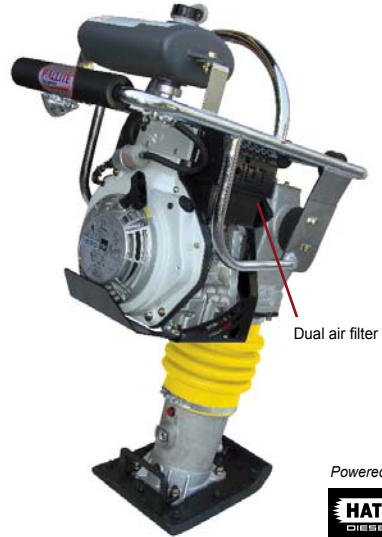
## Diesel trench rammer

The PACLITE diesel rammer offers maximum production, performance and durability while providing you the convenience of standardizing your diesel fleet. A well-balanced machine for easy handling and operation. The TR800D is the heavyweight amongst the rammers and is exceptionally reliable because of its engine. Its preferred use is on soils which are difficult to compact, on sites where solely diesel fuel is used to avoid the accidental mix up of fuels and also on various repair jobs. New clutch system from German Amsbeck.



## Features and Benefits

- A durable HATZ IB20 diesel engine provides exceptional performance, fuel economy and long life.
- The large capacity fuel tank with self-cleaning in-tank filter, offers long life and minimum maintenance.
- Exclusive noise reducing cover lowers the amount of engine and shoe noise transmitted to the operator.
- New clutch system from German Amsbeck.



Dual air filter

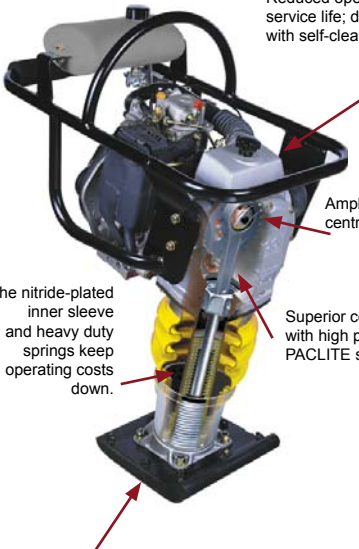
Powered by



### WHEEL KIT OPTION

Code OP/TR-WHEEL

Reduced operating costs: long service life; dry air filter cartridge with self-cleaning air filter system



Ample dimensioned centrifugal clutch

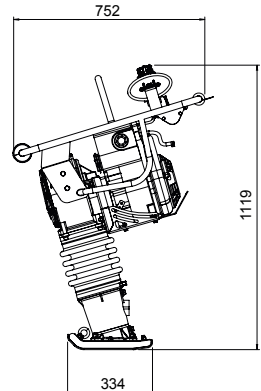
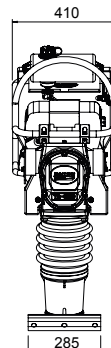
The nitride-plated inner sleeve and heavy duty springs keep operating costs down.

Superior compaction results with high power crank and PACLITE spring systems

Faster: High travel speed with improved foot inclination angle, optimized spring systems and low center of gravity.

Code	TR800D
Model	TR800D
Operating weight (Kg)	84
Centrifugal force (kN)	21,4
Plate size (mm)	334x285
Brand Engine	Hatz IB20
Hp Power (Kw)	4,0 2,94
Speed (m / min)	9 - 12
Amplitude (mm)	75 - 85
Frequency (Hz)	12
Sound level dB (A)	92
Level of vibration* (m / s <sup>2</sup> )	9,6

\* Minimum vibration levels measured to EN500-4



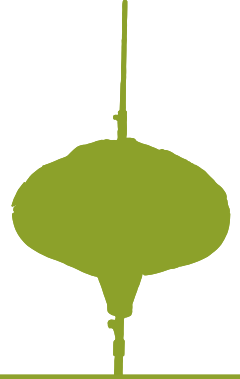
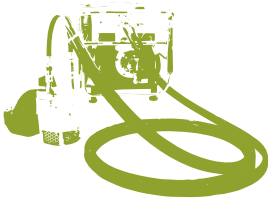


**PACLITE**  
Equipment



# MOBILE CONSTRUCTION MACHINES

TRANSPORT MOBILE LIGHTS AND PUMPING



PACLITE extends the range of construction equipment to facilitate works on the ground:

## TRANSPORT, MOBILE LIGHTS AND PUMPING.

The transporter HTL350 4X4 has been developed to improve productivity with all aspects of security .

The tower lights and power balloons will facilitate and increase productivity during night work or during the darker winter months creating visual comfort during the whole process of work.



## Highly mobile lights which enable safe and efficient work in dark areas year around.

The PAC-LIGHT lighting balloon has both compact and flexible design and provides fast and maximum flexibility of lighting that is needed for the job site. With its simple construction and clamping systems, the PAC-1000W LIGHT and LIGHT PAC-400W is easy and quick to assemble. The oval shape of the illumination area of its powerful metal halide lamp 1000W offers maximum brightness without glare. It is thus ideally suited for construction sites and roads. Its luminous point placed to 7 meters above the ground, meet the requirements of RSA 95 (Directive on the safety of workplaces on construction sites).

The model PAC- LIGHT 400W 12V/24V is a very flexible model from any point of view. Without electric power network, this model equipped with Xenon lamps can be connected directly to a car battery on any construction site. The product is supplied with an attachment which can be mounted onto a truck. The transformer convert both 12 and 22 volts making it possible to use the light anywhere.



### Features and Benefits

- Sturdy and safe: sturdy tripod. In the case of wind, crossmembers are stabilized kit ropes attached to the ground.
- Opening and locking ballon with a single cable.
- Easy replacement of lamps PHILIPS BRAND or GENERAL ELECTRIC without tools and with minimal effort.
- Ballast with on/off switch and protection against overheating.



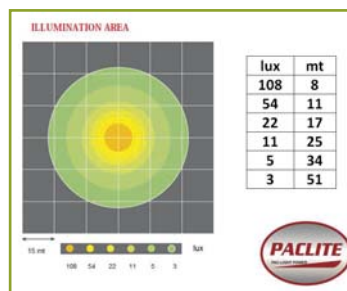
Foldable tripod



Option: color scheme for rental companies



PACLITE offers 2 models of mobile construction light



Mobile lamp 12 & 24 volt delivered with a truck attachment



Mast with security points

Code	PL1000W	PL150W
Model	PAC-LIGHT POWER 1000W	PAC-LIGHT POWER 150W
Tripod transport position in bagL x W x H ( mm)	2000x250x250	1208x250x250
Tripod max height (m)	7,2	3,5
Tripod min height (m)	2,2	1,8
Tripod weight (Kg)	19,08	10,9
Balloon diameter (mm)	1050	750
Balloon height (mm)	650	650
Balloon transport position in bagL x W x H (mm)	1250x250x250	1208x250x250
Balloon weight (Kg)	10,93	9,54
Transformer box weight (Kg)	13	3
Lamp type	Metal halide	XENON
Lamp power (w)	1000	150
Light current (lm)	100.000	30.000 lm
Operating temperature (°c)	-20 to + 40	-20 to + 40
Lighting Area ( 5 lumen / m2 Ø 60)	2800	400
Voltage (ac) (V)	230	12&22
Operating current (A)	8	15 /7,5
Frequency (Hz)	50*	NA
Cable length (balloon to balast) (m)	7	7
Cable length (transformer to generator) (m)	3	3



## Tower-Light entirely manufactured by PACLITE

Paclite offers this model with powerful lighting. 4 x 1000 W bulbs of Metal Halide provide a total lighting 350 000 lumens. These projector lamps can perform up to 10,000 hours of use.

The PL4000W is manufactured of highest quality and finish; compact design, safe, efficient and high-performance. The unit offers a wider area of illumination and greater fuel economy. Pac-Light has whisper quiet noise levels (just 63 dBA at 7m) and a long run fuel tank, which makes it ideally suited for outside events

The Pac-Light is perfect for providing static lighting needed in the following applications : construction; rental companies; construction of mining infrastructure; large-scale projects; outside events.

Powered by a highly reliable Lombardini diesel engine and MeccAlte alternator.

This mechanical model is equipped with a manual winch and a telescopic mast which enable a compact design and economy.

Italian Projector lights from



Adjustable feet in width and position adapting to the ground

## + Features and Benefits

- High quality European components.
- 4 projector lights from GVISS.
- Extraordinary product finish with carbon fiber canopy, reducing the overall machine weight , sliding doors, compact design and strong tow frame.
- Low noise Lombardini water cooled engine. Large back hood with fan provide spacious exhaust for heat.
- One extra socket allow the use of power tools or to connect additional light.
- Two height adjustable galvanized stabilizers ensure stability of the machine and can withstand up to 80 km / hour wind with the mast fully assembled.
- Jacks adjustment balances the machine on rough terrain perfectly to 180° against the ground.
- Electrical coiled cable.
- The machine is equipped with forklift pockets and lifting hooks for easy loading for transport.
- Two versions: 50 & 60 Hertz according to geographical zones.



Manual crank



Lifting points



Level measuring to the ground



Rear hood to open





Code	PL4000W-50HZ	PL4000W-60HZ
Model	PAC-LIGHT 4001 MANUAL	
<b>STRUCTURE</b>		
Maximum height (m)	8	
Raising	Manual	
Rotation Section(°)	340	
Maximum wind stability (km/h)	80	
Minmum dimension L×W×H (mm)	2650×1300×2460	
Maximum dimension L×W×H (mm)	2650×2460×8000	
Operation weight (kg)	750	
<b>ENGINE</b>		
LOMBARDINI	LDW 1003	
Number of cylinders	3	
Displacement	1028cc	
Power (kW)	10	
Cooling	Water	
Gov.engine speed (rpm)	1800	
Fuel	Diesel	
Starting system	Electric	
Oil sump capacity (L)	2.4	
Fuel tank capacity (L)	80	
Consumption (g/kWh)	263	
Noise level (Lwa)	93	
Battery (Ah)	12v-55	
<b>GENERATOR</b>		
Single phase voltage	10 kVA-240 V	
Frequency (Hz)	50 or 60	
Cosφ	0,8	
Mechanical protection	IP 21	
<b>LAMP</b>		
Type of light	Metal halide floodlight	
Number & power of light	4×1000 W	
Degree of protection	IP 66	
Constructor material of the body	Die-cast aluminium	
Constructor material of lampholder	Ceramic	
Reflector	Polished and anodized aluminium 99.85	
Cable gland	Stainless steel	
Optical case opening system	Stainless steel clips	
Dimensions L×H×D (mm)	404×260×328	



Control box with one power outlet socket CE



Back ventilator



Slidable doors



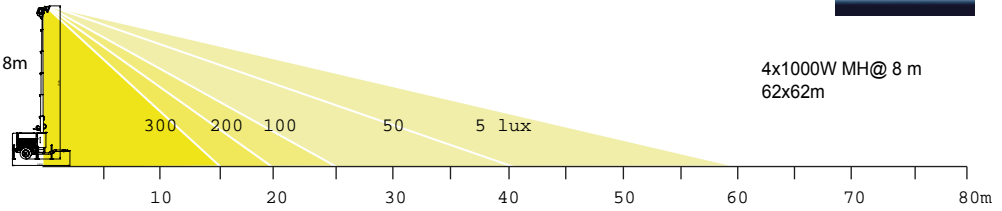
High quality italian components



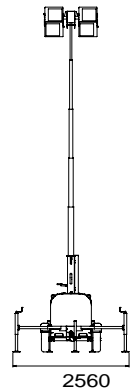
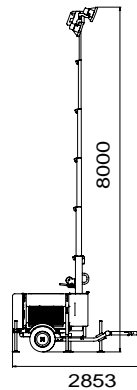
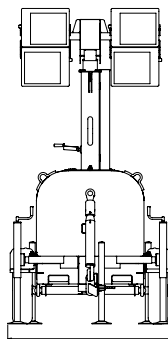
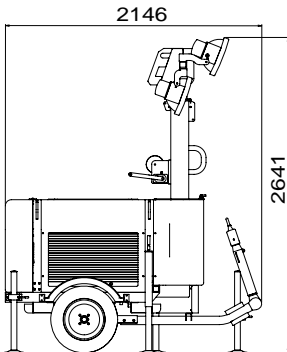
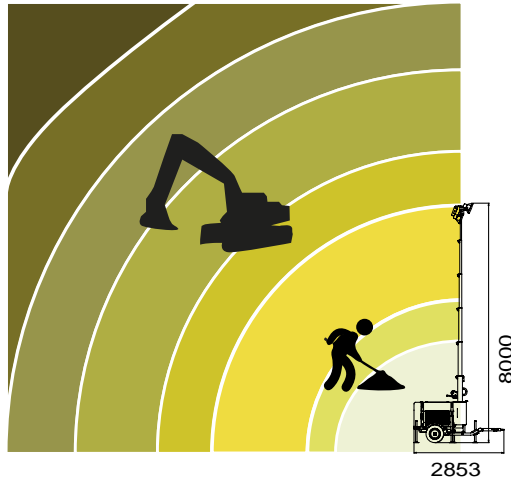
# PAC-LIGHT

**PACLITE**  
Equipment

Italian Projector lights  
from



4x1000W MH@ 8 m  
62x62m





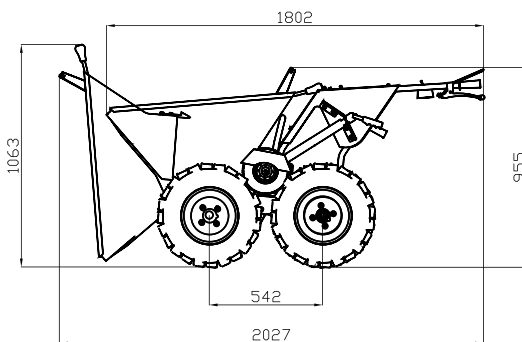


**Terrain Loader**

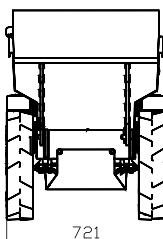
PACLITE specializes in solutions to service sites, since we always pay attention to the specific requirements of our customers by offering the expertise of our technicians and reliability of the brand PACLITE which boasts experience in its field. Perfect for any type of work and made from high quality components. Useful for saving fatigue. Maneuverable in tight spaces. Quick and lively in movement. Strong, robust and compact, but also available and adaptable to your requirements according to the multitude of sectors in which they can be used. It is also quite possible to carry these devices on any truck with their small size and lightness.

**+ Features and Benefits**

- Robust design of the hopper and discharge system, better balanced and more weight compared with other machines on the market.
- The Terrain Loader has a Honda engine of 5.5 horsepower.
- The Terrain Loader allows larger capacity 345Kg.
- A motorized 4-wheelers loader drive for pedestrian can go anywhere a tracked machine can.
- Perfectly balanced, the operating gear is smooth and easy as driving to empty at full load.
- Easy and fast for high productivity.
- All four tires are identical for easy use on all types of terrain.
- The bucket is changed within seconds with the flat tray; both are always included in the delivery of the machine.
- May climb hills up to 30 degrees.
- USA manufactured gear box Tecumseh.
- It combines well with a number of other devices such as mini-excavators and cement mixers allowing low allows direct discharge.
- Clutch EC.



Flat tray always included



<b>Code</b>	<b>HTL350</b>
<b>Model</b>	<b>HTL350</b>
Dimensions L x W x H (mm)	1802x721x955
Engine	Honda GXV160
Engine power hp (Kw)	5,5 (4)
Max speed (Km/h)	5,8
Capacity (l)	137
Capacity (Kg)	345
Weight (Kg)	162



# PFP80

## FLEXIBLE SHAFT POWER PUMP



### Submersible flexible shaft pump 72 m<sup>3</sup>/h

Submersible pump for draining and removal of water from trench sand building sites without use of electric power. The FORCE pump can take aggregates as large as 10 mm and offers a more rugged heavy duty design.

### + Features and Benefits

- Pump with high output and a capacity of 72m<sup>3</sup>/H.
- Cast steel impeller.
- Solid size capacity : 10mm.
- High quality components and strong flexible shaft, 6m.
- Two-dog coupling identical to AAX poker vibrators which enable compatibility and versatility in utilisation between water removal and concreting work.
- Autonomous, portable and lightweight in size, this pump can be used in a multitude of applications.
- Same engine power units used together with AAX poker vibrators.
- Standard delivery with discharge hose of 10 meters and 3" (75mm), fireman's quick release coupling.
- 2950 rpm, max. head height 15m.
- Drive unit with Honda GX160.
- 2015 version with 6 meters flexible shaft.



PUMP PFP OPTIONS		
Model	Code	
Flexible shaft complete	<b>PFP80P-OIC</b>	
Complete pump body	<b>PFP80-PUMP</b>	
PUMP FORCE OPTIONS		
Fire man coupling mounted to 10 m flat hose	<b>PFP80P-SH-10M</b>	
Fire man coupling mounted to 25m flat hose	<b>PFP80P-SH-25M</b>	



FORCE power pump



PACK VIB AAX 35mm + pump

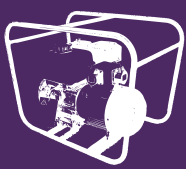


Pall box



AAX Couplings compatible with PFP-80 pump

Code	PFP80-H	PFP80-POMPE	104.10.00306
Model	Complete pump 6m with accessories included + fireman couplings 3" + discharge hose 10m + drive unit Motor Honda GX160	<b>FORCE PUMP</b> pump only no accessory included	<b>PACK PUMP</b> set complete with 35mm flexible shaft poker



**PACLITE**  
Equipment



## CONCRETE EQUIPMENT

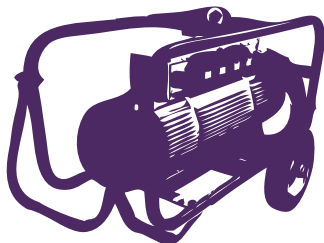
Concrete is the combination of four basic components: water, cement, sand (small aggregate) and rock (large aggregate). When mixed together, hydration or curing occurs, where the cement paste acts as a glue binding all the surrounding aggregates.

PACLITE has developed a range of concrete equipment starting from the process of vibration to screeding, trowelling and cutting of expansion joints.

PACLITE offers a comprehensive range of professional concrete tools.



POWERED by  
**HONDA**  
norm SAE J1349





## Towable Site Mixer – 2 Wheels

Excellent Quality to European Standards. Reinforced drum opening and cast iron ring gear and pinion.

### + Features and Benefits

- Four greasing points on all the movements: bottom of drum, bearings of pinion shaft of drum, and tilting of drum.
- Adjustable drive belt.
- The crossbar of suspension mono-block is not painted in oven, which eliminates the risks of premature wear of the internal Anti-Vibration Mount.
- Approved Suspension units with built-in safety feature.
- Exhaust extension so gases go out of the engine.
- Mud Guards as standard 2 Engine options:
- Diesel engine: Lombardini 15 LD225 or Honda GX120.
- Knockdown frame.
- Removable Axles for ease of transport and handling.
- Towbar doubles position.
- Pneumatic Tyres.
- Guard ventilated on the power-driven models petrol.



POWERED by  
**HONDA**  
norm SAE J1349

**LOMBARDINI**

Code	B350RL-H120	B350RL-D
Model	Betamax 350RL	Betamax 350RL
Capacity of the drum (l)	350	350
Diameter of drum (mm)	2400	2400
Mixing output (l)	290	290
Dimensions of mixer L x W x H (mm)	2270x1910x1690	2270x1910x1690
Operating weight (Kg)	252	252
Motor	Honda GX120 petrol	Lombardini 15 LD 225 diesel
Motor type	single cylinder 4 stroke	single cylinder
Motor power hp (Kw)	3,5 (2,6)	4,8 (3,5)
At (rpm)	3600	3600



**Heavy duty site mixer**

THE BIG DIFFERENCES: Drum opening strengthened, gear and pinion in cast iron, greasing of all bearings. The only model on the current market with a directional and oscillating supplementary "axle". This and 4 Pneumatic wheels gives better adhesion to the ground / roads of construction sites.

**+ Features and Benefits**

- Four greasing points on all the movements: bottom of drum, bearings of pinion shaft of drum, tilting of drum.
- Adjustable drive belt.
- Exhaust extension so gases go out of the engine compartment.
- Engine: diesel engine Lombardini 15 LD225 or petrol engine : GX160 (option).
- Removable axles for ease of transport and handling.
- Towbar doubles position.
- Pneumatic tires.
- Guard ventilated on the power-driven models petrol.



Tensioning system



New chain drive system

Code	RGT350D	RGT430XLD
Model	Regent 350DL	Regent 430XL
Capacity of the drum (l)	350	430
Diameter of drum (mm)	740	875
Mixing output (l)	290	360
Dimensions of mixer L x W x H (mm)	2270x1910x1690	2270x1950x1690
Operating weight (Kg)	252	270
Motor	Lombardini 15 LD 225 diesel	Lombardini 15 LD 225 diesel
Motor type	single cylinder	single cylinder
Motor power hp (Kw)	4,8 (3,5)	4,8 (3,5)
At (rpm)	3600	3600



Powder painting inside drum



Storage position



Greasing of bottom of drum



Articulated steering



Directional and oscillating supplementary axle



# MULTIVIB MULTIVIB COMPACT



## High frequency hand held poker vibrator

The MULTIVIB Vibrator produces a most flexible and economic solution. The interchangeable head produces the highest possible amplitude. Energy is transferred from the compactly designed motor, via the flexible shaft made out of high quality carbon steel wire. The outer casing is made of abrasive resistant Neoprene rubber, that gives both flexibility and resistance to wear.

The Multivib design can take both standard shafts as well as a new rotashaft, which makes it possible to position the motor on the ground and twist the shaft into many working positions, making it particularly useful when working on first floor castings and repair jobs.

The Multivib COMPACT feature offers a lighter weight motor without losing any power and is mounted directly into the carbon casing.



## Features and Benefits

- On-site vibration of concrete for foundations, walls, columns and slab work. In plant vibration of concrete during the production of pipes, slabs, beams, double T's, columns and walls.
- Powerful MOTOR.
- Interchangeable heads with double bearings.
- Double insulated motor.
- Integrated filter.
- Easy change of carbon brush kit no tool needed.
- Rotashaft connections on both motors offers ergonomoy and comfort in many work positions.



Model	Code
<b>Multivib motor universal</b>	
CE - plug 2 pin - 230v 50hz	<b>pacli 10.273</b>
plug cetac yellow -115v 60hz	<b>pacli 10.272</b>
plug ul -115v 60hz	<b>pacli 10.274</b>
Plug cetac blue 3 pin - 230v 50hz	<b>pacli 10.281</b>
<b>Multivib poker head for flexible shaft</b>	
Poker head ø 26 mm	<b>pacli 22.432</b>
Poker head ø 36 mm	<b>pacli 22.433</b>
Poker head ø 42 mm	<b>pacli 22.434</b>
Poker head ø 50 mm	<b>pacli 22.435</b>
Poker head ø 57 mm	<b>pacli 22.436</b>
<b>Flexible shaft length</b>	
Multiflex 2 l - 2 m	<b>pacli 22.437</b>
Multiflex 3 l - 3 m	<b>pacli 22.438</b>
Multiflex 4 l - 4 m	<b>pacli 22.439</b>
Multiflex 5 l - 5 m	<b>pacli 22.478</b>
Multiflex 6 l - 6 m	<b>pacli 22.500</b>

Standard shaft and rotashaft connections



Multivib Compact standard and rotashaft connections



Multivib/ standard and rotashaft connections

Rated Power	2Kw (3CV)	RPM	16000
Frequency	50Hz/60Hz		
Input current	6/10 A		
Insulation Class	Double insulation		
Cord - Plug	H07RN-F 2x1,5mm2	Weight	6Kg
Manufacture Standards	EN 60745-2-12:2003		



Hand held portable poker vibrator. Exceptionally good for the rental industry.

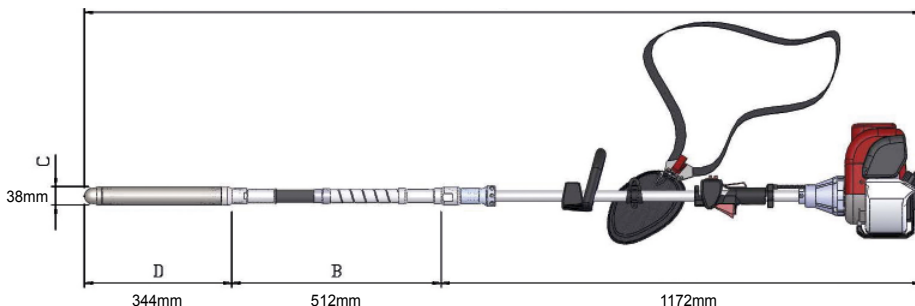
Assembled in two parts ; a small Honda engine, throttle with adjustable speed that connects to a flexible shaft and eccentric movement providing high performance and capacity of concrete. Small and light, this unit is exceptionally easy, providing powerful vibration to move around without causing operator fatigue.



**Features and Benefits**

- Portable poker vibrator , easy to operate, light weight with carry on strap.
- Suitable for floors , form works, house slabs
- Connected to a shaft of 38mm.
- No electric power needed.
- Easy to transport.

Code Model	Porta-38H Portavib
Flex shaft length (mm)	545
Vibrator diameter (mm)	38
Frequency Hz (rpm)	150 (9000)
Amplitude (in air) (mm)	2,8
Engine model	Honda GX35 4 stroke
Motor power hp (Kw)	1,6 (1,2)
Weight (kg)	10,5



## BOOSTER - the ultimate high frequency concrete vibrator

This vibrator is equipped with heavy eccentric weights to perform more power and in particular, more amplitude.

VX PREMIUM - High Frequency poker vibrators

VX BOOSTER - The ultimate performing vibrator for all type of concrete mixes. Standard length for floor castings with comfortable handle.



### Features and Benefits

- Long-life design : The vibration-proof windings are embedded in synthetic material. They will withstand a short-term load of up to 180 °C (356 °F). The heavy-duty roller bearings are grease-lubricated for high performance.
- Overload protection : The thermal circuit breakers prevent the motor from being damaged due to overheating.
- Easy maintenance. The vibrator head can be replaced without the need for special tools.
- Low amperage on VX pokers.
- Ergonomic switch 10 meters of synthetic abrasive, resistant electric cable to the switch 5m of abrasive, resistant hose to the poker synthetic abrasive, resistant electric cable.
- Stretchable hydraulic hose.
- Can be used with most 42v, 200hz 3 phase supplies.
- The input cables are sealed in order to prevent water from entering the poker. The cable is flexible, multi-wired, cold- resistant and durable.



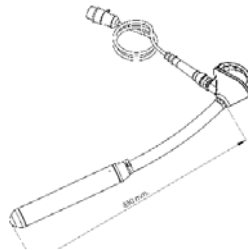
Precision manufacturing



**VX (D) version**  
(ergonomic handle for floors)



PACLITE improving component quality and testing to the limits! ERP insulated polyurethane sheathed flex cable " Top flex"



**OPTIONS:** Vulcullan end caps for coated re-bar protection. Special length of 8 or 10 meters operational hose available upon request.

Code	10000	100001	10257	10258	10259	10260	10336	10359
	VX40 Premium	VX45 Premium	VXBooster 52	VXBooster 58	VXBooster 65	VXBooster 75	VX40D ERGO	VX50D ERGO
Tube diameter (mm)	38	42	52	58	65	75	42	52
Voltage (V)-Hz 3x42	42V-3-200Hz							
42 V power charge (W)	465	490	800	900	980	1250	875	800
Length of tube (mm)	280	320	382	410	425	430	280	382
Hose Length (m)	5	5	5	5	5	5	0,85	0,85
Cable length (m)	10	10	10	10	10	10	15	15
Tube weight (Kg)	1,8	2,7	4,8	6,4	8,2	10,8	2,7	4,8
Total weight (Kg)	9,4	11,5	13,6	14,6	18,3	20,7	8,7	10,4
Capacity vibration m3 / h	15	20	40	45	50	55	20	40
Frequency in concrete (pmt)	12000	12000	12000	12000	11500	11300	12000	12000
Amps at 42 V loaded (A)	5.0	5	10	11	13	14	5	12
Vibration type	Excentric	Excentric	Excentric	Excentric	Excentric	Excentric	Excentric	Excentric
Centrifugal force (N)	1390	2155	3900	5585	7275	8460	1390	3900
Amplitude (mm)	1,77	1,83	1,65	1,85	1,85	1,65	1,77	1,65
Vibration (m / s <sup>2</sup> )	0,8	0,8	1,9	2,1	3,2	3,8	0,8	1,9
Sound pressure level (dB (A)	75	76	79	79	79	79	75	79
Protection class (IP)	IP44 / IP57							

Manufactured under standards: EN 60745-2-12:2003 EN 60745-1:2003





## Converters

More powerful and durable, rugged design, easy to use and low maintenance, this equipment allow for long-term operations in even the harshest conditions. Tried and tested in the extreme conditions, these converters are able to withstand dust, water and high temperatures without compromising on the performance. These compact machines are powerful, easy to use and reliable because of their simpler design. The new series of converters consists of four models to meet the needs of high-frequency vibrators. Insulation class of these four models is class (H) leaving extra power margin.



MONOBLOC



FUZ30



FUZ80



FUZ45D



## Features and Benefits

- Thermal protection in the switch prevents unnecessary damage if the converter is incorrectly used or exposed to much stress.
- The MONOBLOC is an electronic converter with high capacity for one poker vibrator.
- FUZ30 and FUZ80 have increased capacity, reduction in cost and, they have two or 4 outlets , single phase 230 volt or three phase 400volt.
- FUZ45D is a generator running at 42volt. It allows 3 poker vibrators (42) working at the same time
- Protective steel frame and transport wheels.

Connection setting quick guide  
HF CONVERTER /HF POKER

Model	MONOBLOC	FUZ30	FUZ80	FUZZ45D
OUTLETS				
VX40 Premium	1	2	4	3
VX Booster 52	1	2	4	3
VX Booster 58	1	2	4	3
VX Booster 65	1	2	4	2
VX Booster 75	1	2	4	2
VX 40 D	1	2	4	3
VX 50 D	1	2	4	3

Code	pacli10169 MONOBLOC	FUZ30 FUZ30	FUZ80 FUZ80	FUZ45DL FUZ 45D DIESEL
Supply Input (V)-Phase	220-240	230	400	230
No. Of Output Sockets	1	2	4	3
Output Current (A)	16	26	80	45
Dimensions W x H x L (mm)	242 x 170 x 187	550 x 330 x 370	550 x 330 x 370	790 x 500 x 860
Weight (Kg)	10	32	54	60
Connection engine frequency (Hz)	50/60	50	50	50
Generator output frequency* (Hz)	200	200	200	200
Generator output voltage (V)	42	42	42	42
Degree protection motor-generator	IP57	IP 44	IP 44	IP44
Nominal generator power (kVa)	1,1	2,5	6,5	3

\*60Hz Upon demand

### STANDARDS AND DIRECTIVES

Machinery Directive	98/37/EC replaced by 2006/42/EC
Harmonized standards	EN292 replaced by EN/ISO 12100-1/2
Low volt directives LVD	73/23/EEC replaced by 2006/95/EC
Noise Emission Directive	2000/14/EC amended by 2005/88/EC
Electric magnetic compatibility	89/336/EEC replaced by 2004/108/EC



## High frequency poker with built-in inverter

The PACLITE poker vibrator Synchromaster is provided with a built-in converter in the switch box that converts the frequency 50 Hz to 200 Hz, and 1-phase 230 V to 3-phase 210 V which runs the 3-phase motor in the poker. As the poker vibrator is connected to a 1-phase wall socket-outlet it can be used everywhere. The comfortable start/stop knobs on the front side of the switch box are easily reached. The converter in the switch box has built-in functions that protect the equipment and the user against operational hazards. The strong and user-friendly switch box of impact resistant aluminium is designed to withstand the tough construction environment.



### Features and Benefits

- Molded electronics.
- Strong design.
- Plug-in and work on single phase current.
- Available in 230v and in 115 V versions.
- Also available in 40/65 and 75mm.
- Thermal protection.
- Overload protection.
- Power loss protection.
- Stretch proof hose and cable.
- Options : 9 meters operative hose available upon demand.



Synchromaster with molded electronic box IP67 class and Rico electronics used by the US army.

Code	pacli10.158	pacli10.159	pacli10.160
Model	Synchromaster-40	Synchromaster-51	Synchromaster-58
Tube diameter (mm)	40	51	58
Supply voltage, V + / -10 (Hz)	230V-1-50/60Hz	230V-1-50/60Hz	230V-1-50/60Hz
Power (W)	400	600	660
Length of tube (mm)	320	382	410
Hose Length (m)	7	7	7
Cable Length (m)	15	15	15
Tube weight (Kg)	2,6	4,75	6,4
Total weight (Kg)	14,1	17,5	19,5
Capacity vibration (m3 / h)	12	20	30
Frequency in concrete (pmt)	12000	12000	12000
Amps (A)	1,4	2,9	3,8
Vibrator type	Eccentric	Eccentric	Eccentric
Centrifugal force (N)	1500	3800	5500
Amplitude (mm)	2,6	2,8	2,8
Vibration value (m / s <sup>2</sup> )	3,7	4,33	4,33
Sound level dB (A)	78	76	76
IP	IP 67	IP 67	IP 67



## Flexible shaft pokers

The PACLITE FP poker vibrators with flexible shaft are built on the pendulum principle. This series includes 5 sizes ranging from 25 to 62 mm (1 to 3 in), featuring both high frequency and amplitude, which ensure the very best results in all types of concrete.

### + Features and Benefits

- Induction hardened magnesium steel alloy.
- Reinforced steel hose reinforced by 6 layers of special spun steel.
- High vibrating power.
- Long working life, wear resistance and reliability.
- Easy operation and compatibility.
- No special maintenance needed.
- The FP series, ranging from 25 mm of diameter to 62 mm feature both high frequency and amplitude to ensure the best results in all types of concrete. Principle : a unique balanced single-piece rotating pendulum generating vibration at 12000 rpm. The contractors can rely on their long working life thanks to high-quality components and production process.



AF22  
Electric single phase drive unit



Honda GX160

Code	AF22M
Model	AF22
Power supply (V) Phase	230
Number of output sockets	1
Output Voltage (A)	10
Dimensions WxHxD (mm)	55x25x365
Weight (Kg)	18,7
Engine Frequency (Hz)	50 / 60*
* Output frequency (Hz)	50
Output Voltage (V)	230
Protection class motor / generator	IP44
Rated Power (kVA)	1,5

Code	FP27DC	FP37DC	FP47 DC	FP56DC	FP62DC
Model	FP27	FP35	FP45	FP57	FP62
Tube diameter (mm)	25	35	45	55	62
Hose Length (mm)	334	390	440	465	480
Total weight (Kg)	10	18	22	24	25
Length of the flexible shaft (m)	6	6	6	6	6
Amplitude (mm)	0,8	1,3	1,5	1,6	1,7
Frequency in concrete (pmt)	12000	12000	11200	10500	10500
Centrifugal force (N)	570	2000	3800	4300	4300
Capacity vibration (m3 / h)	8	11	18	24	30
Sound level dB (A)	69	68	73	75,8	75,8
Vibration (m / s <sup>2</sup> )	2,46	1,56	3,52	2,66	2,66



Universal couplings



EY20-3C ROBIN



	DRIVE MOTORS		
Code	DKPD17E	DRCGX160	DRCEY20-3C
Engine	Kipor Diesel	Honda GX160 Gasoline	EY20-3C Robin (CE)
Power (Hp / Kw)	4 (3)	4,8 (3,6)	5,5 (4)
Speed (rpm)	2800	2800	2800
Dimensions W x H x L (mm)	430x630x500	420x520x445	420x520x445
Weight (Kg)	42	26	26



## Pneumatic pokers vibrator

PACLITE range of pneumatic pokers includes 8 models with diameters from 26 mm to 108 mm. They are suitable for use in all types of concrete and a wide variety of construction sites from small foundations to very large commercial construction projects including dams. Vibration parameters have been optimized, thus leading to a maximum output.

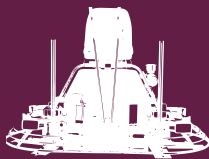


### Features and Benefits

- Heavy duty single piece rotor.
- High amplitude under full load with a very constant frequency.
- The poker head and the rotor are made of high quality steel.
- All PACLITE VP vibrators include in-line oiler, providing permanent lubrication.
- Option :4,6 m or 9 m cable.



Code	103.27.00001	103.37.00002	103.47.00003	103.57.00004	103.67.00005	103.77.00006	103.87.00007	103.10.00008
Model	VP25	VP35	VP45	VP55	VP65	VP75	VP85	VP105
Tube diameter (mm)	26	36	47	56	67	77	87	108
Hose length (m)	4	4	4	4	4	4	4	4
Air consumption (m <sup>3</sup> /min)	0,36	0,46	0,7	1	1	1,3	1,6	1,9
Tube length (mm)	254	267	316	344	365	398	410	415
Tube weight (Kg)	1,8	1,5	2,8	4,5	7,9	8,9	9,7	17,7
Total weight (Kg)	5	5	7	10	11	17	18	23
Frequency in concrete (vpm)	12000	12000	12000	12000	12000	12000	12000	10500
Frequency in air (vpm)	21000	19000	18000	18000	17500	16000	15900	15000
Centrifugal force (N)	850	1960	3800	6600	11300	14600	22400	24200
Amplitude (mm)	0,5	0,6	0,6	0,8	0,9	1,2	1,8	1,9
Vibration value ( m/s <sup>2</sup> )	0,51	1,02	2,39	2,87	2,1	2,38	1,95	2,91
Noise level dB(A)	84,5	89,2	95,8	95	94	98	94	96,3



**PACLITE**  
Equipment



## SURFACING AND FLOOR PREPARATION EQUIPMENT

PACLITE power trowels are measured by their great performance. PACLITE is an undisputed leader in the market. Year after year, our trowels continue to be the number one choice for the concrete industry. With 39 years of engineering experience, no other manufacturer can match the great range of models, quality, reliability and performance.

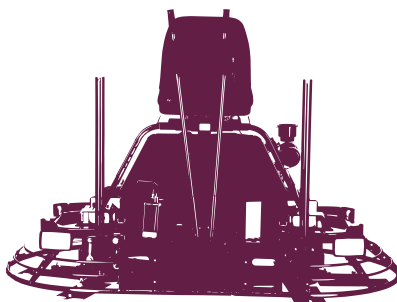
Producing flat concrete floors requires advanced equipment for screeding and trowelling the concrete surfaces.

Flat properties, are mainly made for housing, warehouses, garages, industrial buildings and airports often together with heavy continuous loads on the floor.

Many new large warehouse construction projects also require super flat floors for wire-guided warehouse equipment.

Screeds, finishing beams and trowels push and compacts loose concrete as well as driving out air pockets avoiding dust.

This process eliminates ripples and cracks creating durable floors over the width of the placement.



POWERED BY  
**HONDA**  
norm SAE J1349



# M600

## EDGING TROWEL

**PACLITE**  
Equipment

### M600 edging trowel 2 x foldable handle

The PACLITE trowels are extensively used in the industry, intended for floating and trowelling newly placed concrete surfaces. The working speed (output shaft speed) is variable 50/130 r.p.m. which ensures optimum results both at floating and trowelling. The handle is of an ergonomically sound design with all operating controls easily accessible for the operator from the driving position. The handle bars' CE safety grip can be held at any position on the handles. PACLITE models cover most needs for any modern job site.



### Features and Benefits

- The M600 trowel features a rotating guard ring to reduce manual labor while edging.
- Enables the operator to finish within millimeters of obstructions.
- The high capacity gearbox delivers big machine performance in a small package.



Master 600 Edging trowel  
Double folded operating handle



<b>Code</b>	<b>M600H120</b>
<b>Model</b>	<b>M600Honda</b>
Operating weight (Kg)	56
Dimensions straight (mm)	1650x630x1100
Rotor diameter (mm)	600
Blade speed (rpm)	85-138
Number of blades	4
Blade pitch max angle (°)	14°
Engine	Honda GX120
Rated power hp (Kw)	4 - (3,2)
At (rpm)	3600
Gasoline tank capacity (l)	2,7
Consumption (l/h)	0,6

<b>OPTION: smoothing pan</b>	
<b>Code</b>	<b>TOL606-040803P</b>





**Lightweight and straight or foldable handle - M1200 - Heavy-duty straight or foldable handle**

The Series Master 900 & Master 1200 incorporates amazing balance, improved serviceability, and your choice of wide or narrow frame, straight or foldable handle providing contractors with the ideal machine for residential and general construction work. The large Master 1200 is designed for high speed burnishing up to 180 r.p.m with a HD gearbox and PACLITE patented drive system.

PACLITE “Get a grip on the best”. Our new Anti-Vibration handle design dramatically reduces the vibration transmitted to the operator. These height-adjustable handles will increase operator comfort and decrease fatigue over an eight-hour day. The economic new trowel J-900 is equipped with straight handle and centrifugal clutch.

**+** **Features and Benefits**

- The handle is of an ergonomically sound design with all operating controls easily accessible for the operator from the driving position.
- The handlebar acts as a “dead man’s grip” safety device and can be reached from any gripping position on the handle.
- The speed selection is made with a switch on the handle.
- The change of the blade angle is made with a circular adjuster on the handle. The blades are reversible for double life.
- The trowel is provided with two carrying handles for manual raising.
- M900 and M1200 are equipped with chromed frame.
- All trowel accessories are interchangeable between M900 and J900.



The PACLITE gearboxes are the most reliable in the industry for years of maintenance free operation.

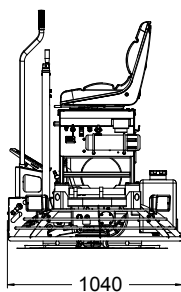
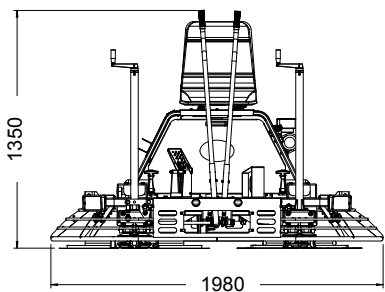


Code	Master900	J900	Master1200
Model	M900 Honda	J900 Honda	M1200 Honda
Operating weight (Kg)	75	75	113
Dimensions Folded (mm)	1305x992	1305x992	1408x1200
Dimensions W x H x L (mm)	992x 781x2013	992x 781x2013	1206x1008x2130
Trowelling diameter (mm)	925	925	1170
Number of blades	4	4	4
Trowelling speed (rpm)	65-131	65-131	65-131
Engine Model	Honda GX160	Honda GX160	Honda GX270
Rated power hp (Kw)	5,5 (4)	5,5 (4)	6,7 (4)
At (rpm)	3000	3000	3000
Gasoline tank capacity (l)	3,6	3,6	6
Consumption (l/h)	1	1	1,8
Shaft	Foldable	Straight	Foldable
Clutch	Manual	Centrifugal	Manual



# PRT168 - RED SERIE2 X 900mm

A unique machine







### Mechanical ride on trowel

The Mechanical PRT168 ride on trowel is equipped with high-horsepower gasoline engine, heavy-duty drive trains and packed in easy-to-service frames. Our heavy-duty gear box and four-bladed rotors are proven performers in the field. PACLITE PRT rider combines exceptional performance with a perfect balance.

It allows quick finishing of large concrete surface and at the same time ensuring it is flat and smooth.

PACLITE trowels 'by **UNI-corp**

US manufactured gearboxes



### Features and Benefits

- Independent manual pitch control.
- Raised foot pedals.
- Powered retardant spray system.
- Centrifugal clutch.
- Five blade spider with heavy duty gearbox.
- 4 Lights.
- Safety switch built-in the seat.
- Epoxy painted structure.
- Option: transport trolley with inflatable wheels.



2 Water tanks



Electric spray system in handle



Transport wheels 'Dolly jacks'



Cup holder

Code	PRT168
Model	PRT168
Dimension L x W x H (mm)	1980 X 1040 x 1350
Operating weight (Kg)	333
Panning path width (mm)	1880
Rotors diameter (mm)	914
Max.Rotor speed (rpm)	110 To 135
Fuel tank capacity (l)	23
Engine	Honda GX690
Spray system	Pressurized
Application	Finishing / panning

Options	Code	
Set of 2 disc 2x900-4clip	PRT168M-047128	
Set of 8 blades (8x14)	PRT168M-028779	
Slings 6 inches 150mm	PRT168M-035461	
Transport wheels 'Dolly jacks' 2/set	PRT168M-027684	



# DISC AND BLADES TROWELS

**PACLITE**  
Equipment

## High quality Blades and Discs to give the best performance from your Pro Trowel.

We manufacture our trowel accessories!

PACLITE trowel blades are made out of blue steel to offer endurance and the most resistant quality in the industry. Our blades are made with extra polished rivets which ensure stability against the concrete surface avoiding resistance to bending. Purchase only original PACLITE accessories!



### Features and Benefits

- Quality expendable blades, pans and discs.
- Competitive prices.
- Accurate fit and genuine parts.



Finish

Pan Dimensions				
Code	Model/Type	Size (mm)	Insert	
TOL606-040803P	M600	610	M6	
TOL100GB-080000P	J900 / M900	980	M8	
TOL120GB-080000P	M1200	1200	M8	



Combination

Blade Dimensions				
Code	Model/Type	Size (mm)	Insert	
TOL606-050100	M600	230x120	M6	
M900-050000	M900/Combination	355x199	M8	
947-050000	M900/Finition	356x151	M8	
FS9043	Clip-on extension blades 900 mm	355x199	Clip type	
TOL120GB-050000	M1200/Finition	458x152	M8	
947-99956	Combination blades for M1200	439x199	M8	
FS12043	Clip-on extension blades	439x199	Clip type	



Float disc / pan

Clip on extension blades are mounted on finishing blades to allow a larger trowel surface.



Clip on extension blade



### Correcting a concrete floor

PACLITE CUB grinder is small floor grinder developed for correcting and rectifying any concrete surface. The machine is powered by a powerful 230V single phase electric motor.

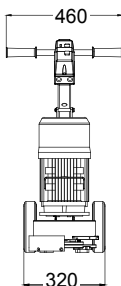
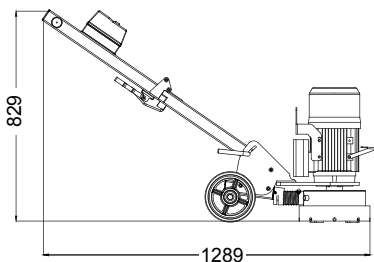
The removable diamond tool set is easy to access and replace.

The folding handle makes the machine compact and easy to transport.



### Features and Benefits

- Tool set easy to change.
- Powerful electric motor.
- Adjustable handle.
- Outlet for connecting a dust extractor for indoor work.
- One set of diamond segments included in the machine.



<b>Code</b>	<b>PSG-SEA</b>
<b>Model</b>	<b>CUB GRINDER</b>
Dimensions (in work) L x W x H (mm)	1289x320x829
Dimensions (folded) L x W x H (mm)	800x460x700
Packing size (mm)	800x500x820
Net weight (kg)	53
Motor speed (rpm)	1430
Power source	220~240 V à 2,2 kW (3 hp 50 Hz



Option : set of four diamond segments

<b>Code</b>	<b>CGS250-040500</b>
<b>Option</b>	Set of 4 diamond segments



Diamond segments easy to change, without any tools needed



# CONCRETE HAND TOOLS

## Concrete floats, Hand tools

Smooth or texture wet concrete to the required finish. Just twist the long handle and the swivel head angles the blades for pushing or pulling across the slab.

### + Features and Benefits

- **Big Blue Too:** tempered 'Blue' steel blade with rounded corners c/w Swivel & 3 snap fitting handles.
- **Texas Concrete placer:** head and handle aluminium.
- **Fresno broom** with articulated turn knuckle head and shaft: combination tool for applying a consistent brushed finish. C/W Swivel & 3 snap fitting handles.
- **Bullfloat:** lightweight magnesium alloy blade with reinforced section to prevent warping. c/w Swivel & 3 snap fitting handles.

Code	BT111992	BT009991	BT790074	BT20045
Model	Big Blue-Too	Texas concrete placer	Fresno broom	Bull float
Dimensions LxW (mm)	1200 X 300	495 x 115	900 x 220	1200 x 200



TEXAS CONCRETE PLACER



FRESNO WITH BROOM



BIG BLUE-TOO



BULL FLOAT



SNAPLOCK EXTENSION HANDLE



WORM DRIVE PITCH CONTROL

Code : BT000055

Code : BT003300



### The flat surface is the top result

Machines that enable professionals to - literally and figuratively - go any way they want. The Super Screed is light yet robust and very easy to handle; therefore, manoeuvring is simple. The machines guarantee maximum reliability and high productivity. Perfectly levelled, flat floors; regardless how small or big the surface is.



### Features and Benefits

- Levelling without guiding rails.
- Protected and in-built Eccenter element.
- Adjustable handle with mounted throttle.
- Foldable drive unit.
- Perfectly chromed frame, easy to clean.
- Two standards lengths 1,8 m and 3,6 m.



Model	Drive unit & Blade	Blade 1,8m	Blade 3,6 m
Code	400.00.10000	400.00.18000	400.00.36000

Code	400.00.10000
Model	Superscreed
Weight (kg)	15,5
Engine	4 stroke gasoline 1 cylinder Air cooling
Manufacturing	Honda
Cylinder	35,8
Engine power kW (Hp)	1,2 (1,6)
At (rpm)	7000
Capacity of fuel tank (l)	0,65
Consumption of fuel (l/h)	0,6
Length (mm)	1117
Width (mm)	889





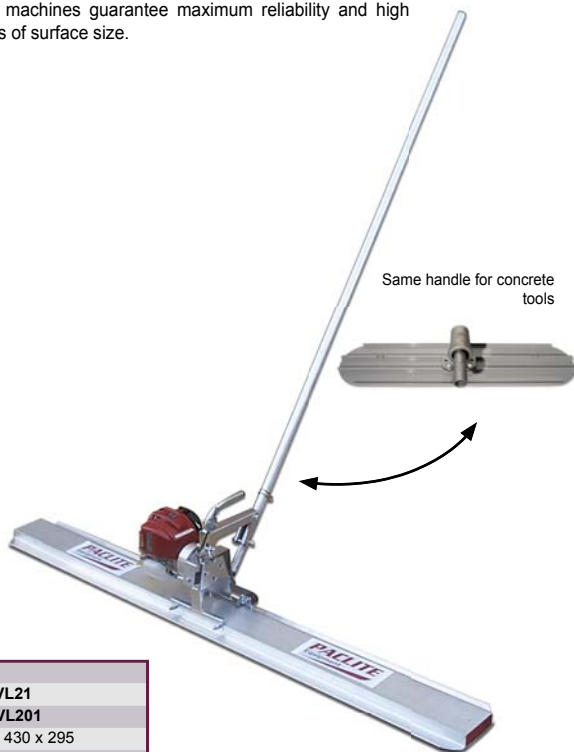
## Surface Screed

Machines that enable professionals to - literally and figuratively – go any way they want. They are light yet robust and easy to handle therefore, maneuvering is simple. The machines guarantee maximum reliability and high productivity. Perfectly levelled, flat floors; regardless of surface size.



## Features and Benefits

- Maximum reliability and productivity.
- Easy to use.
- For perfectly flat floors.
- Interchangeable handle.



<b>Code</b>	<b>VL21</b>
<b>Model</b>	<b>VVL201</b>
Dimensions L x W x H (mm)	2000 x 430 x 295
Weight (Kg)	17
Engine type	Honda GX35 4-temps - gasoline
Engine power - (W)	740
Frequency (Hz)	100





### Top-of-the-Line in versatile Power Screed

The stream screed "strike" version is both quick and versatile. This unit is designed for floor finishing and adjusting operations, providing uniform distribution over the entire blade length which improves concrete compaction. The unique geometric shape of the float allows it to be used as both a float and curl edge, when screeding from the top of forms. A one piece extruded aluminium shape means fewer parts, and easy cleanup. Interchangeable with the Stream screed drive unit, these lightweight blades are available in different models and working widths.



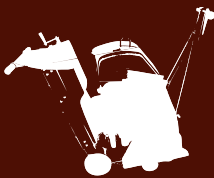
### + Features and Benefits

- Lightweight and productive.
- Easy changeable blade lengths.
- Workable around corners and edge.



<b>Model</b>	<b>Screed drive unit Honda GX35</b>
<b>Code</b>	401.10.10010HO
Weight (Kg)	14
Power hp (Kw)	1,5 (1,1)
Dimensions L x H x W (mm)	990 x 710 x 400
Frequency (Hz)	90
Compaction depth (mm)	85

<b>Model</b>	<b>Code</b>
<b>Box type profiles - Height 105mm</b>	
1,9m	401.10.00819 HO
2,5m	401.10.00825 HO
3m	401.10.00830 HO
3,75m	401.10.00837 HO
4,25m	401.10.00842 HO



**PACLITE**  
Equipment



## CUTTING AND GRINDING

For more than twenty years, we've been instrumental in shaping roadways, runways, bridges and much more across the world.

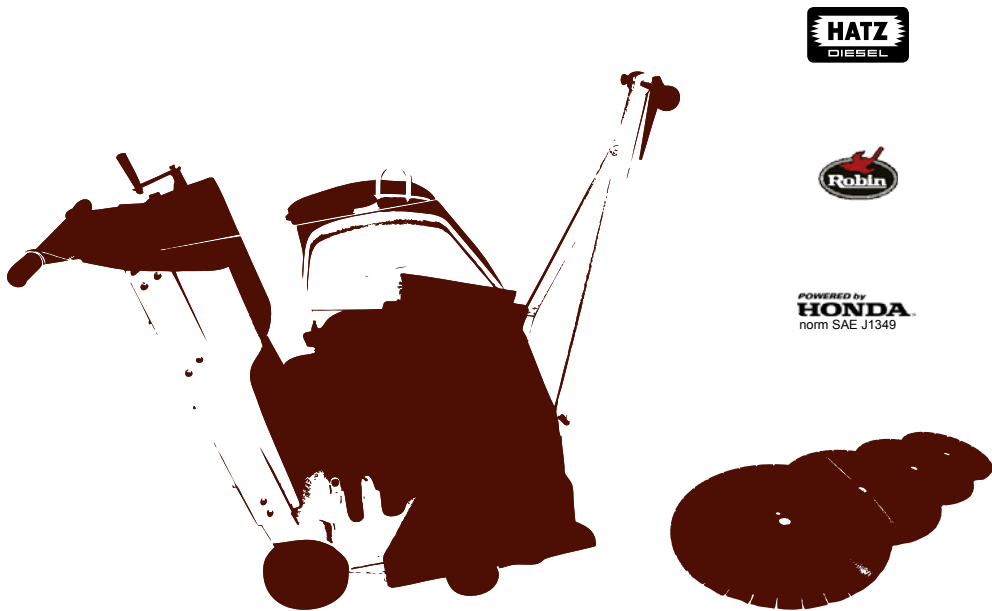
Using PACLITE saws and grinders ensures the safest and surest construction no matter how challenging the job. We offer a complete line of walk-behind saws and grinders all crafted using only the finest components.

And we're just getting started!

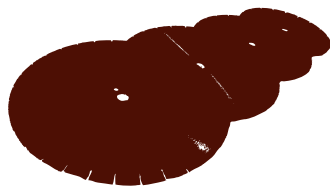
Aimed at the concrete and asphalt market, the PACLITE range of high-performance diamond blades feature specially designed cutting segments with perfect geometry.

The blade selection matches the most common applications. Fast and productive saw blades with 10 or 12mm high segments permitting excellent results.

PACLITE offer a common range of blades for general building products, hard materials, asphalt as well as the multi-material blade with properties for cutting solid iron, granite as well as clay pipes.



POWERED BY  
**HONDA**  
norm SAE J1349





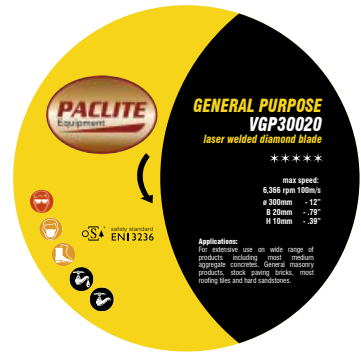
The PACLITE range of high-performance diamond saw blades are one of the fastest and most productive saw blades on the market.

**CONTRACT RANGE:** Double laser welded 12mm high segmented diamond products have been designed to give excellent speed of cut, long life and excellent value for money. This results in excellent rental revenues per unit.

**TRADE RANGE:** Double laser welded 10mm high diamond products. High quality blades, which have been specially designed to provide good productivity levels at the lowest possible cost per unit.

**SPECIALIST RANGE:** Blades that cut virtually everything on site. Designed with continuous rim and cuts fast. Multi-application blades are segmented, laser welded and provide an exceptionally long life.

Hard materials: concrete-steel 'Cuts anything': concrete-steel-asphalt Continuous Rim. For a smooth cut with sharp edges (no chips) choose a Specialist blade for hand and tile saws.



TRADE RANGE Double Laser welded	Code	Blade Ø (mm)	Segment WxH (mm)	Bore (mm)
<b>Application</b>	<b>General Building Products</b>			
General Building Products	980/07065	100	2,2x10	16
General Building Products	980/07066	115	2,3x10	22,23
General Building Products	980/07067	115	2,3x10	22,23
General Building Products	880/07068	80	2,6x10	22,23
General Building Products	980/07069	230	2,6x10	22,23
General Building Products	980/07070	300	2,8x10	20
General Building Products	980/07071	350	3,0x10	25,4 +P
<b>Application</b>	<b>Hard Materials</b>			
Hard Materials	980/07527	115	2,3x10	22,23
Hard Materials	980/07528	125	2,3x10	22,23
Hard Materials	980/07529	230	2,6x10	22,23
Hard Materials	980/07530	300	2,8x10	20
Hard Materials	980/07531	350	3,0x10	25,4 +P
<b>Application</b>	<b>General Building Products</b>			
General Building Products	980/07532	115	2,3x10	22,23
General Building Products	980/07533	125	2,3x10	22,23
General Building Products	980/07534	230	2,6x10	22,23
General Building Products	980/07535	300	2,8x10	20
General Building Products	980/07536	350	3,0x10	25,4 +P
<b>Application</b>	<b>Asphalt</b>			
Asphalt	980/07537	300	2,8x10	20
Asphalt	980/07538	350	3,0x10	25,4 +P





<b>CONTRACT QUALITY RANGE</b> Double Laser welded		Code	Blade Ø (mm)	Segment WxH (mm)	Bore (mm)
<b>Application</b>		<b>Hard Materials</b>			
Hard Materials	880/07022	100	2,2x12	16	
Hard Materials	980/07023	115	2,3x12	22,23	
Hard Materials	980/07024	115	2,3x12	22,23	
Hard Materials	880/07025	180	2,6x12	22,23	
Hard Materials	980/07026	230	2,6x12	22,23	
Hard Materials	980/07027	300	2,8x12	20	
Hard Materials	980/07028	350	3,0x12	25,4 +P	
Hard Materials	980/07029	400	3,5x12	25,4 +P	
Hard Materials	980/07030	450	3,5x12	25,4 +P	
<b>Application</b>		<b>General Building Products</b>			
General Building Products	880/07056	100	2,2x12	16	
General Building Products	980/07057	115	2,3x12	22,23	
General Building Products	980/07058	115	2,3x12	22,23	
General Building Products	880/07059	180	2,6x12	22,23	
General Building Products	980/07060	230	2,6x12	22,23	
General Building Products	980/07061	300	2,8x12	20	
General Building Products	980/07062	350	3,0x12	25,4 +P	
General Building Products	980/07063	400	3,5x12	25,4 +P	
General Building Products	980/07064	450	3,5x12	25,4 +P	
<b>Application</b>		<b>Abrasive Materials</b>			
Abrasive Materials	980/07090	100	2,2x12	16	
Abrasive Materials	980/07091	115	2,3x12	22,23	
Abrasive Materials	980/07092	125	2,3x12	22,23	
Abrasive Materials	880/07093	180	2,6x12	22,23	
Abrasive Materials	980/07094	230	2,6x12	22,23	
Abrasive Materials	980/07095	300	2,8x12	20	
Abrasive Materials	980/07096	350	3,0x12	25,4 +P	
Abrasive Materials	880/07097	400	3,5x12	25,4 +P	
Abrasive Materials	980/07098	450	3,5x12	25,4 +P	
<b>Application</b>		<b>Asphalt</b>			
Asphalt	980/07111	300	2,8x12	20	
Asphalt	980/07112	350	3,0x12	25,4 +P	
Asphalt	980/07113	400	3,5x12	25,4 +P	
Asphalt	980/07114	450	3,5x12	25,4 +P	
<b>SPECIALIST RANGE</b> Double Laser welded		Code	Blade Ø (mm)	Segment WxH (mm)	Bore (mm)
<b>Application</b>		<b>Multi Application Hard Materials &amp; Steel</b>			
Multi Application Hard Materials and Steel	980/07125	230	2,8x10	22,23	
Multi Application Hard Materials and Steel	980/07126	300	3,3x10	20	
Multi Application Hard Materials and Steel	980/07127	350	3,4x10	25,4 +P	
<b>Application</b>		<b>Multi Application Cuts Everything</b>			
Multi Application Cuts Everything	980/07135	300	2,8x12	22,23	
Multi Application Cuts Everything	980/07136	350	3,0x12	20	
Multi Application Cuts Everything	980/07137	400	3,5x12	25,4 +P	
Multi Application Cuts Everything	980/07138	450	3,5x12	25,4 +P	



**Walk-behind floor saws**

Our extensive range of floor saws includes productive saws for floors, driveways, carparks, roadways, runways, new concrete, old concrete and asphalt. The blades and machines must safely and powerfully work together with the material being cut. In addition to prioritizing the requirements of the users, we evaluate the capacity and efficiency of our equipment, allowing us to continually develop efficient solutions.

**+ Features and Benefits**

- Spring loaded base plate pivot system.
- Poly-V belts for optimum power transmission.
- PACLITE floor saws are robust, well designed and easy to use thanks to features as protective cage, lift bail and cutting depth indicator.
- Raise/lower assist system, using springs.
- Engine and blad shaft mounting system reduce vibrations and give better cutting performance.
- Blad shaft system allows for a minimum of 250 maintenance-free hours and eliminates daily greasing of bearings.
- Spring-assist screw feed adjustment reduces the force required to adjust the blade in and out of the cut.
- Electronic hour meter.
- Integrated document and tool box.
- Front drive axle mounted with four bearings.



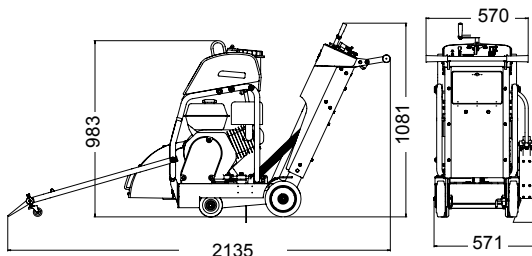
Compact design



Advanced control panel with hour meter



Document and tool box



	Code	301.40.10000	301.41.10001B40
	Model	PRECISION CUT4-5	PRECISION CUT 500D
Dimensions L x W x H (mm)		2135x571x1081	2135x571x1081
Weight (Kg)		179	199
Max cutting depth (mm)		146-164-192	146-164-192
Blade size (mm)		400-450-500	400-450-500
Blade speed (m/sec)		57,6	57,6
Water tank capacity (l)		37	37
Engine		Honda GX390	Hatz Diesel IB40
Engine power hp (Kw)		13 (9,6)	11 (7,5)
Engine rated speed (rpm)		3600	3600



# CUTS450X

## Maximum cutting speed and smooth operation

**PACLITE CUTS450** Honda floor saw offers a cutting performance second to none in this class of machines. The torque transmitted to the diamond blade and the center of gravity located directly over the cutting shaft have been matched efficiently. The majority of the engine's power output goes there where it is needed: into the asphalt or the concrete. These two features result in cuts faster than comparable products.



## Features and Benefits

- The machines provide excellent directional stability due to the high tensile strength of the protective cage.
- Adjustable handle makes fatigue-free positioning possible for ease of operation. The CUTS450 machine feature a shorter wheelbase to make the handling of the machine even easier.
- The plastic removable water tank allows extended wet cuts and is the largest in this class of equipment.
- The machine is always perfectly balanced when hanging from the central lifting point for ease of transport.
- Light floor saws in their class, these units offer easy maneuverability around any job site.
- Electronic hour meter.
- Easily removable watering kit, center lifting point.
- Integrated document and toolbox.



Central lifting point



Advanced control panel with hour meter and cutting depth indicator gauge.

<b>Code</b>	<b>301.40.10001</b>
<b>Model</b>	<b>CUTS450X</b>
Dimensions L x W x H (mm)	1015 x 563 x 958
Weight (Kg)	95
Max cutting depth (mm)	145
Cutting width (mm)	10
Blade size (mm)	400 & 450
Blade speed (m/sec)	46,1
Water tank capacity (l)	25
Engine	Honda GX390
Engine power hp (Kw)	13 (9,6)
Engine rated speed (rpm)	3600



## SPM-surface grinder

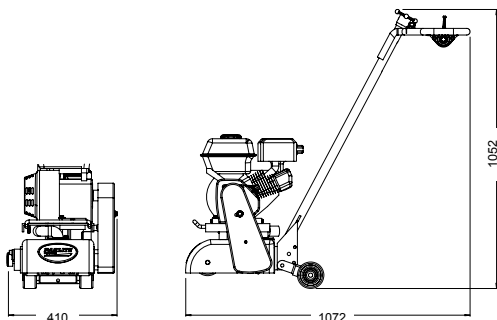
PACLITE scarifiers and tools have been well known for years but sold by our customers under other brands. The design combines strong fabrication with heavy-duty performance.

This technique is meant for a deeper removal of material. It is ideal for the complete floor renovations of production halls, factories, farm buildings, parking lots and many other large utility buildings on both upper floor and underground levels.



### Features and Benefits

- Etching, cleaning, paint removal on any surface.
- Can be used to remove glues, rubber and more difficult coatings.
- Ideal for road marking removal.
- Leveling of uneven concrete floors.
- Compact and easy to maneuver.
- Deep and precise milling of concrete, resin, asphalt.



Code	SPMH
Model	SPM1
Dimensions L x W x H (mm)	900x410x1110
Working width (mm)	203
Weight (Kg)	66
Working depth (mm)	3
Working capacity (m2/h)	30-46
Engine type	Honda GX160
Max Power output (hp)	5,5
Max speed engine (rpm)	4000



Model
SPM1-070400 6 -point TC cutter (total 76 needed 8mm high Tungsten) full set
SPM -FN W12 TC cutter shims (total 88 pieces needed)



Outlet for dust collector



Operating handle



POWERED by  
**HONDA**  
Conformed Norm  
EURO 2

Engine model	CO2 level (g/Kwh)
<b>ROBIN</b>	
EX13.....	744
EX17.....	722
EX27.....	772
EH09.....	1145
EH41.....	789

Engine model	CO2 level (g/Kwh)
<b>HONDA</b>	
GX100.....	938
GX120.....	938
GX160.....	938
GX270.....	938
GX390.....	938
GXV160.....	938
GXH50.....	938
GX22.....	938
GX35.....	938



Engine model	CO2 level (g/Kwh)
<b>KUBOTA</b>	
E75NB3.....	790



Engine model	CO2 level (g/Kwh)
<b>HATZ</b>	
1B20 3600 min-1.....	797
1B20 3000 min-1.....	787
1B30 3600 min-1.....	746
1B40 3600 min-1.....	711
1B40 2500 min-1.....	718

The CO2 level stated is a calculated guideline.



[www.paclite-equip.com](http://www.paclite-equip.com)

PDF download service on the web



Download the parts view and user prices



### Customer support – our concern and only one call away.

Following the purchase of a machine or service, after-sales service can be almost as important as the initial purchase.

Quality, price and service are three factors critical to the success of our entreprise.

Service is an integral part of Uni-corp Europe and PACLITE Equipment, and it has always been our strategy from the very beginning to provide first-class customer care.

We provide a professional service as it is the foundation for our future growth and the key to establishing true long-term partnerships with our customers.

Uni-corp Service includes a complete range of service, support and experienced personnel covering all your support needs in the field of Compaction and Concrete - wherever you are.

Our wealth of experience, technical training and expertise also ensure competence and commitment in providing you with a high-class service. Our international network is always ready to assist you in your servicing needs so that high productivity is maintained at each site.

- Product Applications.
- Advise on the right product for a certain application.
- Demonstrate the product.
- Recognize key technical features.
- Find and use proper back-up material.
- Convey know-how to sales people, distributors and end-users.
- Have basic knowledge of operational techniques.



**One single phone number for after sales service**

+ 33 (0) 6 42 86 50 46

[sales@paclite-equip.com](mailto:sales@paclite-equip.com)



# PACLITE

Equipment

## SPECIALISTS IN COMPACTION & CONCRETE EQUIPMENT

[www.paclite-equip.com](http://www.paclite-equip.com)



of France

Compaction, Cutting, Surfacing, Grinding, Pumping, Transport, Concrete




Distributor's Stamp :

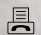


Design : [www.steph-webdesign.com](http://www.steph-webdesign.com) ©Paclite 2015. All rights reserved.

### UNI-Corp Europe / Paclite France Equipment

Zac Les Petits Carreaux - BAT industriel n°3  
12, avenue des Coquelicots - 94380 Bonneuil-sur-Marne - France

 +33 (0)1.49.56.02.82

 +33 (0)1.43.99.19.50

[sales@paclite-equip.com](mailto:sales@paclite-equip.com)

[www.paclite-equip.com](http://www.paclite-equip.com)